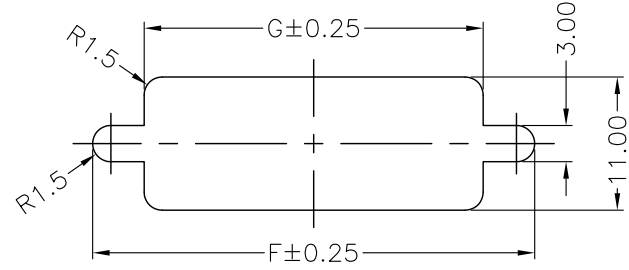
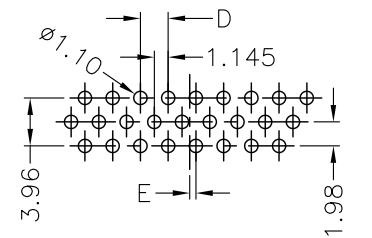
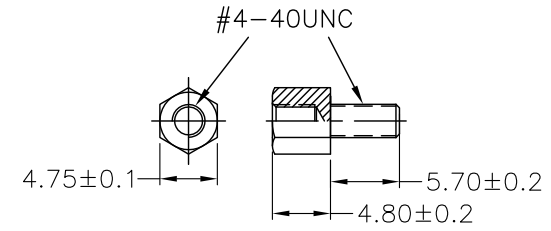
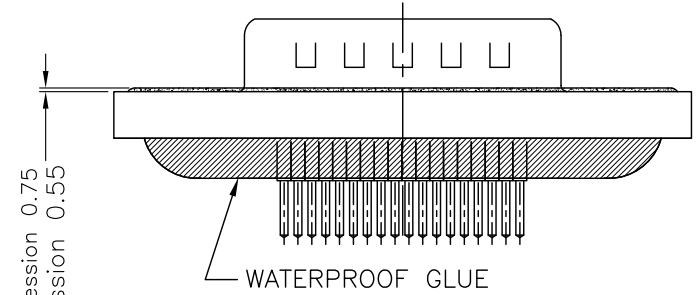
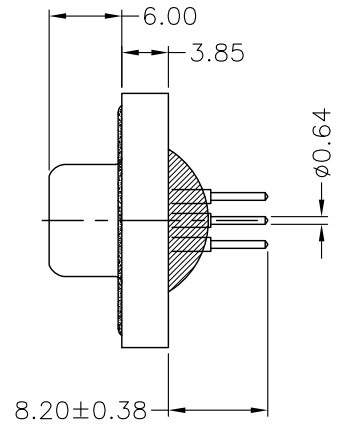
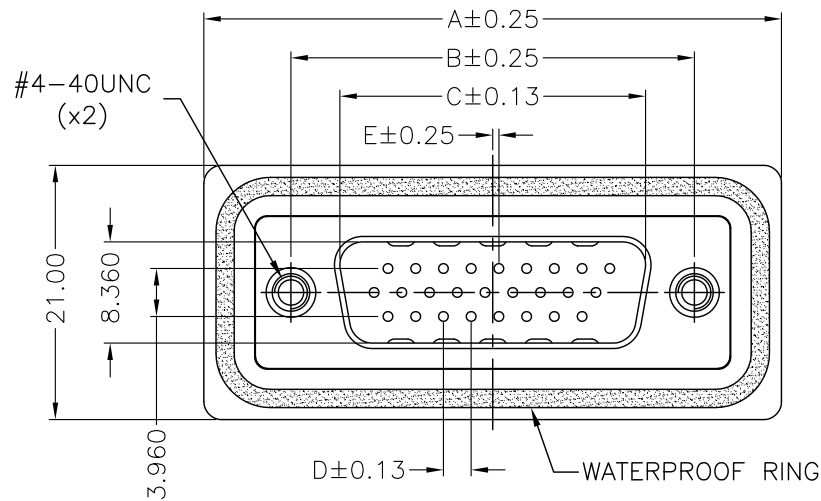


REV.	DESCRIPTION	DATE
1	PRELIMINARY	Sep. 20, 2018
2	WATERPROOF LEVEL	Oct. 05, 2018



RECOMMEND P.C.B. LAYOUT  
TOP VIEW

RECOMMENDED PANEL CUT-OUT  
PANEL THICKNESS = Between 1.2~2.0mm

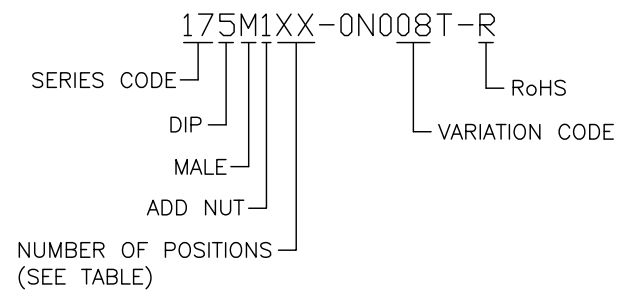
**MATERIALS**

- HOUSING : P.B.T, (UL 94V-0), BLACK.
- TERMINAL : BRASS, GOLD FLASH PLATED OVER NICKEL
- SHELL : SPCC, NICKEL PLATING.
- BOARDLOCK : COPPER ALLOY, TIN PLATING.
- RIVET : COPPER ALLOY, NICKEL PLATING.
- WATERPROOF RING : SILICA GEL.
- WATERPROOF GLUE : EPOXY.
- SCREW : COPPER ALLOY, NICKEL PLATING.

**SPECIFICATION**

- CURRENT RATING : 5 AMP./PIN MAX.
- RATING VOLTAGE : 250V AC MAX.
- DIELECTRIC WITHSTANDING VOLTAGE : 1000V AC R.M.S. FOR ONE MINUTE.
- INSULATION RESISTANCE : 5000M OHMS MIN.
- CONTACT RESISTANCE : 10m OHMS MAX.
- OPERATING TEMPERATURE : -55°C TO +85°C.
- WATERPROOF LEVEL : IP-X7
- SCREWING TORQUE : 3.0Kgf./cm MAX.

**PART NUMBER INFORMATION :**



(TABLE)

PIN	A	B	C	D	E	F	G	Mating Force	Unmating Force
15P	39.40	24.99	16.92	2.29	0.25	28.20	20.00	7.2Kgf Max.	1.2Kgf Min.
26P	47.70	33.32	25.25	2.29	0.51	36.50	28.00	12.7Kgf Max.	2.1Kgf Min.
44P	64.50	47.04	38.96	2.29	0.51	51.00	41.50	20.8Kgf Max.	3.5Kgf Min.

<b>TOLERANCE</b>		<b>DRAWER</b>		<b>Astron</b> <b>WWW.ASTRON.COM.TW</b>
.0=±		NFB0LE		
.00=±0.25		CHECK		
.000=±0.13		ALAN		
.0000=		APP'D		NAME
ANG.=±3°		ERFB		
		PRODUCT SPEC.		DRAW NO.
		—		
UNITS : mm		SHEET		07002
SCALE	SIZE	1 OF 1	REV.	
NONE	A4		2	