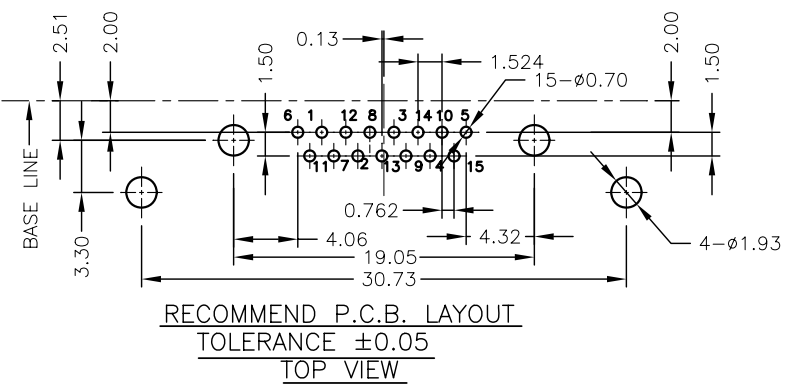
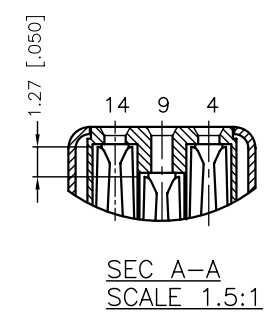
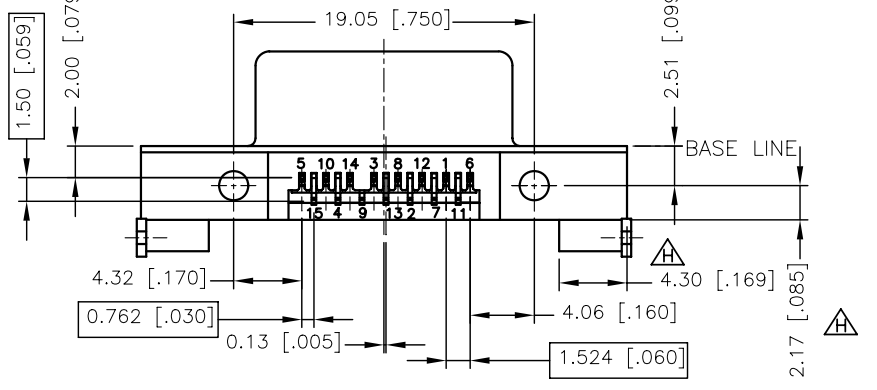
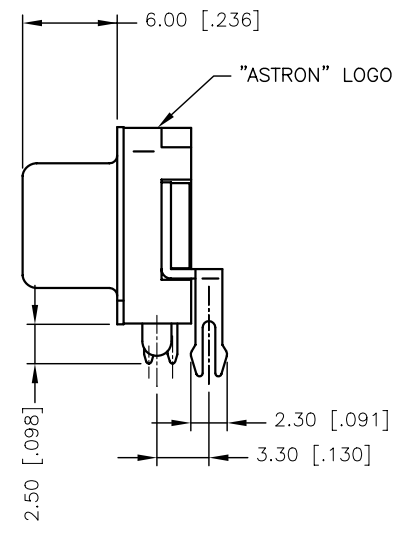
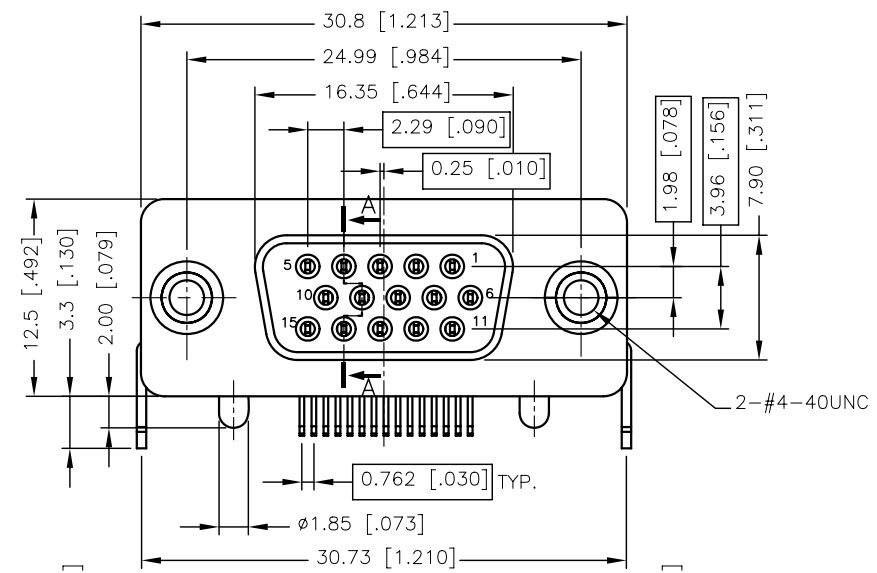


REV.	ECN NO.	DATE
A	RELEASE	Nov.06,2002
B	02'1234	Dec.16,2002
C	03'1102	Nov.04,2003
D	04'1125	Nov.13,2004
E	05'0420	Apr.09,2005
F	06'0442	Apr.28,2006
G	07'0158	Jan.30,2007
H	09'1265	Dec.26,2009



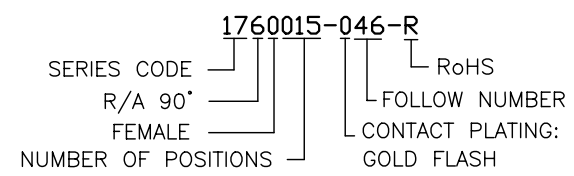
MATERIALS

- HOUSING: HI-TEMP.PLASTIC(UL 94V-0),BLUE.
- TERMINAL: COPPER ALLOY,t=0.30mm
GOLD PLATED ON CONTACT AREA,
TIN PLATED ON SOLDER TAIL,
UNDER NICKEL PLATED.
- BOARDLOCK: COPPER ALLOY,t=0.60mm
TIN PLATED OVERALL.
- SHELL: STEEL,t=0.40mm,NICKEL PLATED OVERALL.
- RIVET: ZN ALLOY.
NICKEL PLATED OVERALL.

SPECIFICATIONS

- CURRENT RATING: 1 A MAX.
- INSULATION RESISTANCE:
1000 MΩ MIN AT 500V DC.
- DIELECTRIC WITHSTANDING VOLTAGE:
500V(r.m.s) AC R.M.S. FOR 1 MINUTE.
- CONTACT RESISTANCE: 30 mΩ MAX.
- OPERATING TEMPERATURE: -55°C TO +105°C.

ORDER INFORMATION:



TOLERANCE .0=±0.38 [.015] .00=±0.25 [.010] .000=±0.15 [.006] ANG.=±3°		DRAWER <i>Ihling</i> CHECK <i>Fisher</i> APP'D <i>Rea</i> PRODUCT SPEC. —		 ASTRON TECHNOLOGY CORP. NAME HDD-SUB 15PIN W/AT LOGO SLIM (RoHS)	
 UNITS : mm [inch]		 SCALE NONE SIZE A4			
 SHEET 1 OF 1		 REV. H		DRAW NO. R1760015-046-R	