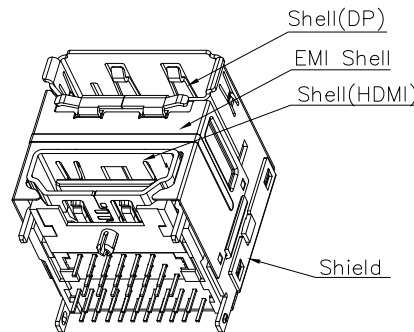
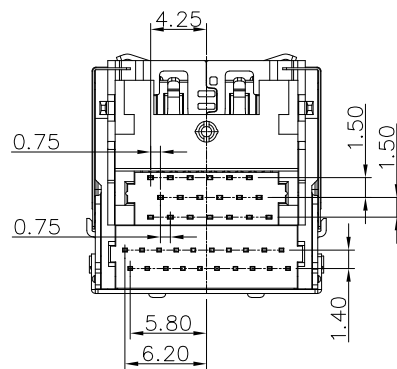
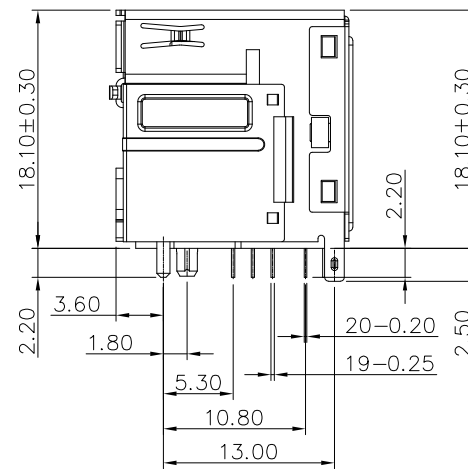
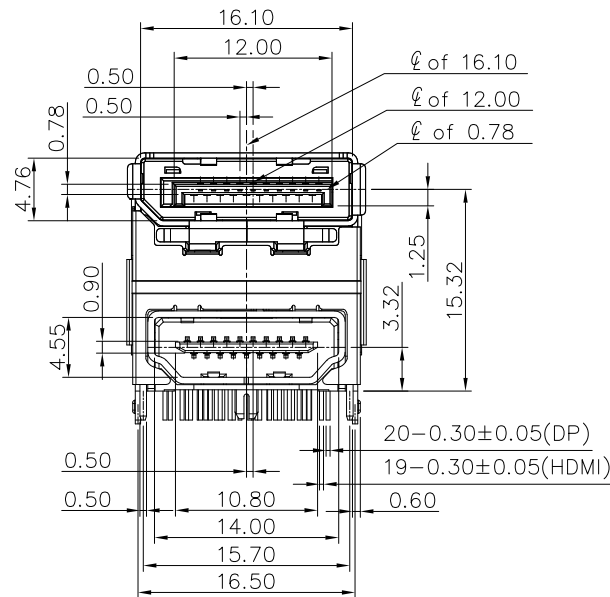
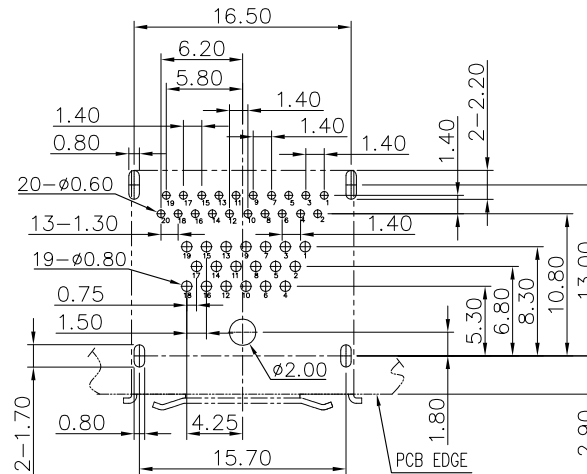
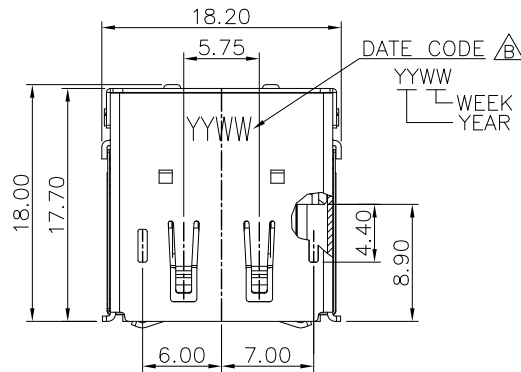


| REV. | DESCRIPTION | DATE |
|------|--------------------|---------------|
| A | RELEASED | Sep. 19, 2019 |
| B | APPEARANCE CORRECT | Jan. 21, 2022 |



MATERIALS

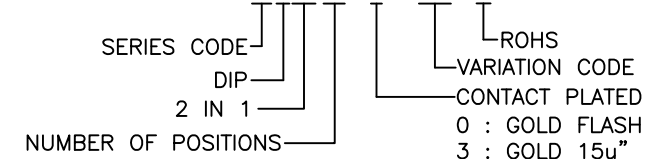
1. HOUSING(DP) : LCP (UL 94V-0), BLACK.
2. HOUSING(HDMI) : LCP (UL 94V-0), BLACK.
3. TERMINAL : COPPER ALLOY, GOLD PLATED ON CONTACT AREA, TIN PLATED ON SOLDER TAIL, NICKEL UNDERPLATED OVER ALL.
4. SHELL(DP) : COPPER ALLOY, NICKEL PLATING.
5. SHELL(HDMI) : STEEL, NICKEL PLATING.
6. EMI SHELL : STAINLESS STEEL.
7. SHIELD : SPCC, NICKEL PLATING.

SPECIFICATION

1. CURRENT RATING : 0.5A
2. CONTACT RESISTANCE : 30m Ω MAX.
3. INSULATION RESISTANCE : 100M Ω Min.
4. DIELECTRIC WITHSTANDING VOLTAGE : 500V AC r.m.s.
5. OPERATING TEMPERATURE : -25°C TO +85°C.
6. MATING FORCE : 4.5Kgf MAX.
7. UNMATING FORCE : 1.0Kgf Min.
8. VOLTAGE : 40 VAC r.m.s MAX.

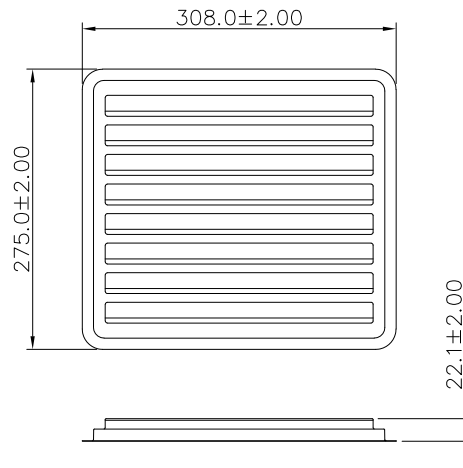
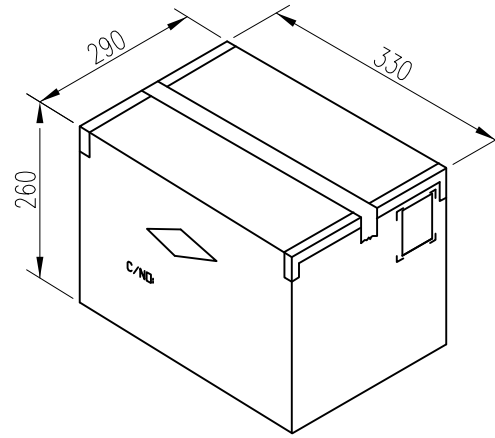
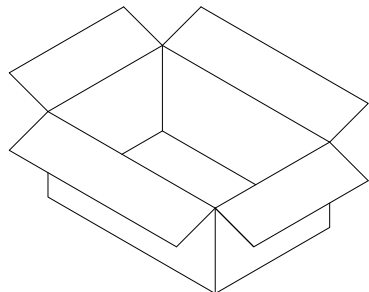
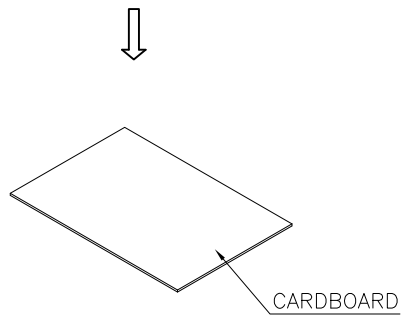
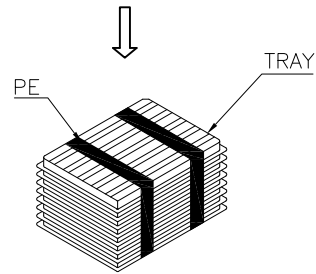
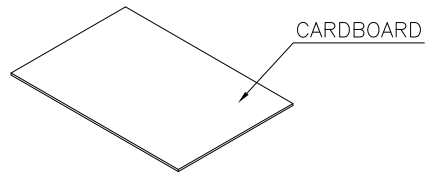
PART NUMBER INFORMATION :

1852139-XN054T-R

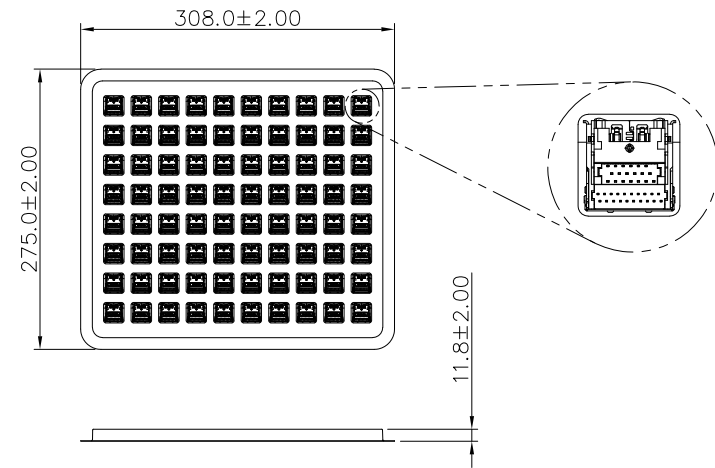


| | | | | | |
|--|--|---------------|--|------------------------------------|--|
| GENERAL TOLERANCE | | DRAWER | | ASTRON TECHNOLOGY CORP. | |
| DIM. 0. = $\pm X.XX$.0 = $\pm X.XX$.00 = ± 0.25 .000 = ± 0.15 | | CHECK | | | |
| ANG. .0° = $\pm 2'$.00° = $\pm X'$ | | APP'D | | COMBO CONNECTOR | |
| 3rd ANGLE PROJECTION | | PRODUCT SPEC. | | DisplayPort + HDMI A TYPE | |
| UNITS : mm | | CONFIDENTIAL | | W/POST R/A, FEMALE DIP TYPE | |
| SCALE NONE | | SHEET 1 OF 2 | | PART NO. 1852139-XN054T-R | |
| SIZE A4 | | REV. B | | C NO. | |

| REV. | DESCRIPTION | DATE |
|------|--------------------|---------------|
| A | RELEASED | Sep. 19, 2019 |
| B | APPEARANCE CORRECT | Jan. 21, 2022 |
| | | |




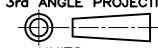
COVER



BOXED

PACKAGE

- SIZE :
 TRAY : 308 x 275 mm
 CARTON : 330 x 290 x 260 mm (LxWxH)
- QUANTITY :
 80 PCS / TRAY
 10 TRAY / CARTON = 800 PCS

| | | | | | |
|---|---------|---------------------|--------|---|-------|
| GENERAL TOLERANCE | | DRAWER <i>RAY</i> | |  ASTRON TECHNOLOGY CORP. | |
| DIM. 0. = ±0 .0 = ±1 .00 = ±0.5 .000 = ± | | CHECK <i>ERP</i> | | | |
| ANG. .0° = ±2° .00° = ± | | APP'D <i>ALAN</i> | | DisplayPort + HDMI A TYPE | |
| 3rd ANGLE PROJECTION | | PRODUCT SPEC. - | | W/POST R/A, FEMALE DIP TYPE | |
|  UNITS : mm | | CONFIDENTIAL | | PART NO. 1852139-XN054T-R | |
| SCALE NONE | SIZE A4 | SHEET 2 OF 2 | REV. B | 07002 | C NO. |