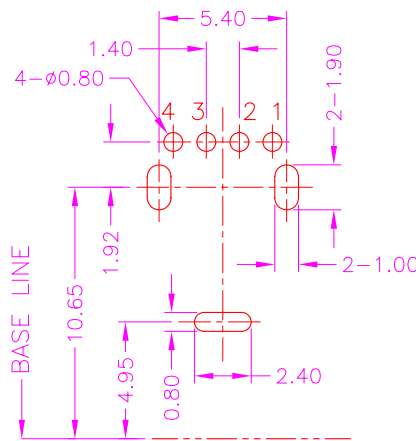
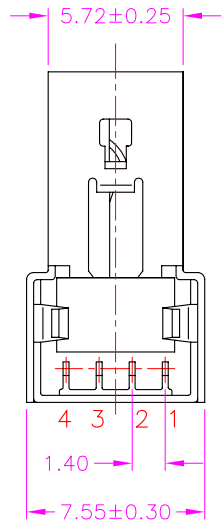
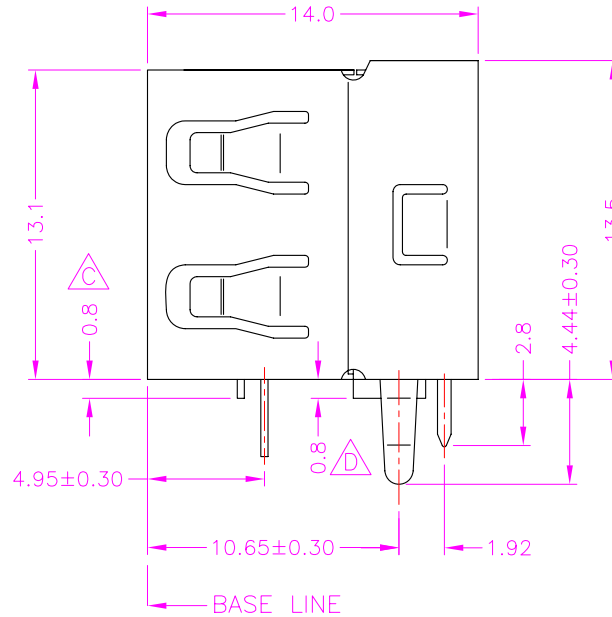
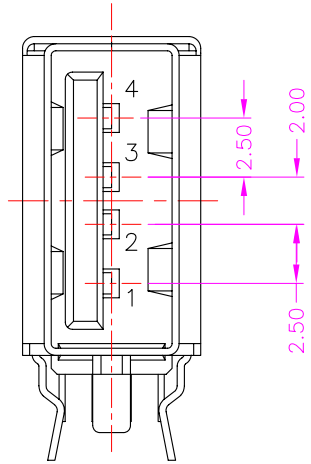


REV.	DESCRIPTION	DATE
A	RELEASE	Mar. 02, 2005
B	DEAW MOFIFY	May. 22, 2007
C	ADD. DIM	Jan. 31, 2008
D	ADD. DIM	May 15, 2013
E	ADD. PACKAGE	Mar. 24, 2014



RECOMMEND P.C.B. LAYOUT  
TOP VIEW

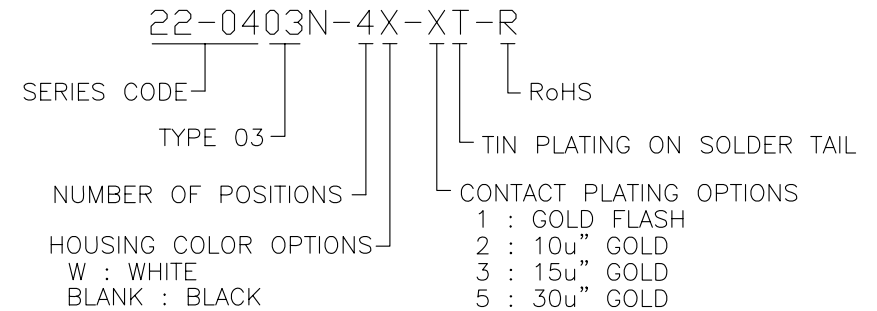
## MATERIALS

1. HOUSING : P.B.T. (UL 94V-0).
2. TERMINAL : PHOSPHOR BRONZE. (t=0.25mm)
3. SHELL : BRASS. (t=0.30mm), NICKEL PLATING.

## SPECIFICATION

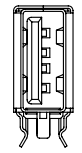
1. CURRENT RATING : 1.5 AMP. MAX.
2. DIELECTRIC WITHSTANDING VOLTAGE : 500V AC R.M.S. FOR ONE MINUTE.
3. INSULATION RESISTANCE : 1000M OHMS MIN. AT 500V DC.
4. CONTACT RESISTANCE : 30m OHMS MAX.
5. OPERATING TEMPERATURE : -25°C TO +85°C.
6. DURABILITY : 1500 CYCLES.
7. MATING FORCE : 1.0 ~ 3.5kgs.
8. UNMATING FORCE : 1.0 ~ 3.5kgs.

## PART NUMBER INFORMATION :

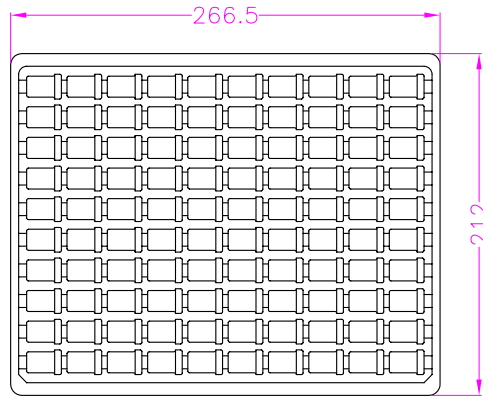


TOLERANCE .0=±0.30 .00=±0.20 .000=±.XXX .0000=±. ANG.=±3°		DRAWER JMG		 <b>WWW.ASTRON.COM.TW</b>
UNITS : mm		CHECK JANPB		
SCALE NONE		APP'D ERPE		NAME USB CONNECTOR P.C.B. MOUNT A TYPE R/A, METAL SHIELD, FEMALE
SIZE A4		PRODUCT SPEC. ---		DRAW NO. C22-0403N-4X-XT-R
SHEET 1 OF 2		REV. E		08002

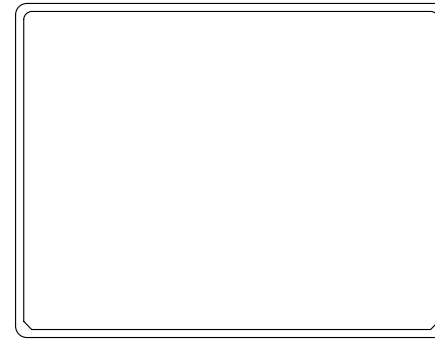
REV.	DESCRIPTION	DATE
A	RELEASE	Mar. 02, 2005
B	DEAW MOFIFY	May. 22, 2007
C	ADD. DIM	Jan. 31, 2008
D	ADD. DIM	May 15, 2013
E	ADD. PACKAGE	Mar. 24, 2014



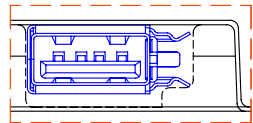
USB A



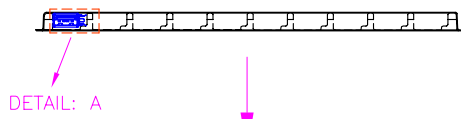
TRAY



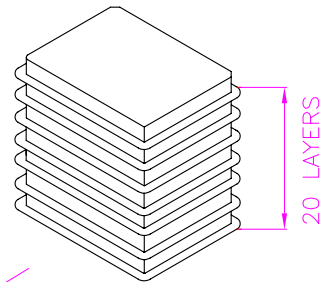
COVER



DETAIL: A



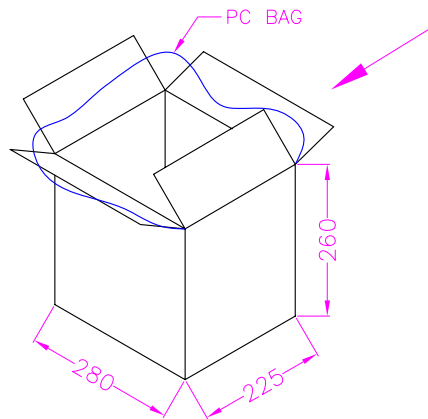
DETAIL: A



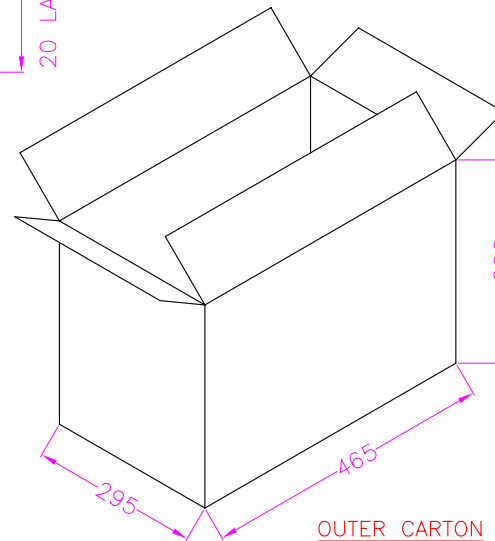
20 LAYERS

PACKAGE QUANTITY :

1. TRAY =100PCS
2. INNER CARTON =100PCS/TRAY X 20LAYERS=2000PCS
3. OUTER CARTON =2 INNER CARTON=4000PCS



INNER CARTON



OUTER CARTON

TOLERANCE		DRAWER		 <b>WWW.ASTRON.COM.TW</b>
.0=±0.30		JFN9		
.00=±0.20		CHECK		
.000=±.XXX		JANPE		NAME USB CONNECTOR P.C.B. MOUNT A TYPE R/A, METAL SHIELD, FEMALE
.0000=±.		APP'D		
ANG.=±3°		ERPE		DRAW NO. C22-0403N-4X-XT-R
		PRODUCT SPEC.		
UNITS : mm				
SCALE	SIZE	SHEET	REV.	08002
NONE	A4	2 OF 2	E	