

REV.	DESCRIPTION	DATE
A	RELEASE	Jan.16, 2019
B	DRAW MODIFY	Feb.13, 2019
C	DRAW CORRECT	Dec.21, 2022

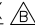
### MATERIALS

- HOUSING : LCP,UL94 V-0, BLACK.
- TERMINAL : COPPER ALLOY,  
GOLD PLATING ON CONTACT AREA,  
GOLD FLASH PLATED ON SOLDER TAILS,  
UNDER NICKEL PLATING OVER ALL.
- MID PLATE: STAINLESS STEEL, CLEAR ONLY.
- FRONT SHELL: STAINLESS STEEL,  
UNDER NICKEL PLATING OVER ALL.
- EMI PLATE: STAINLESS STEEL, CLEAR ONLY.

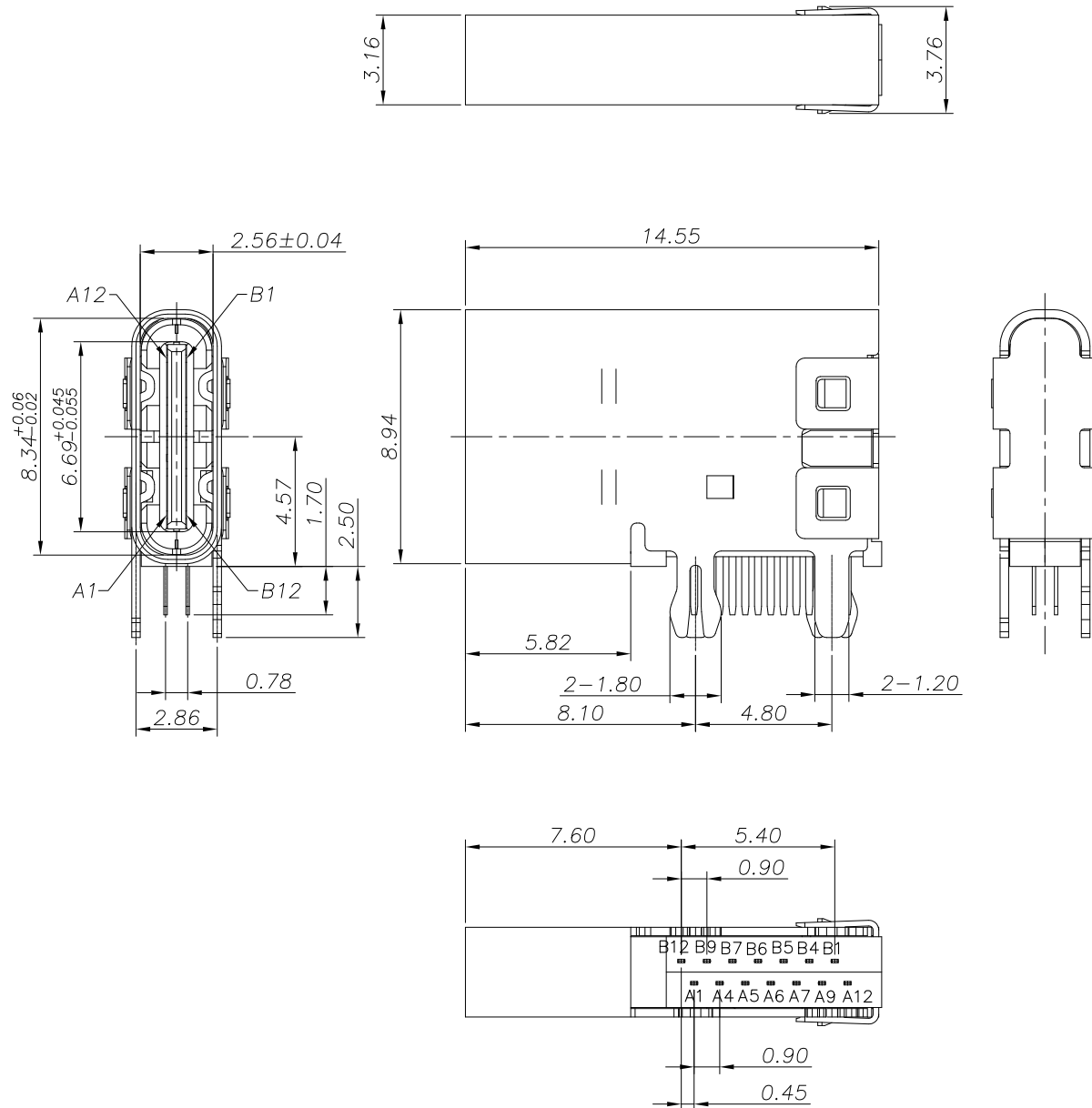
### SPECIFICATION



- CURRENT RATING: 3.0A MAX.
- VOLTAGE RATING: 5.0V
- DIELECTRIC WITHSTANDING VOLTAGE :  
100V AC R.M.S. FOR ONE MINUTE.
- INSULATION RESISTANCE : 100MΩ MIN.
- CONTACT RESISTANCE :  
VBUS & GND PINS AND OTHER PINS: 40mΩ/PIN MAX,  
SHIELD: 50mΩ/MAX,  
LLCR MAX. CHANGE OF ALL PINS: 10mΩ.
- INSERTION FORCE : 0.5~2.0kgf.
- EXTRACTION FORCE : 0.8~2.0kgf.
- DURABILITY : 10,000 CYCLE.
- OPERATING TEMPERATURE : -25°C TO +85°C.
- IR REFLOW: THE PEAK TEMPERATURE ON THE BOARD SHALL  
BE MAINTAINED FOR 10 SECONDS AT 260°C.

### PART NUMBER INFORMATION :

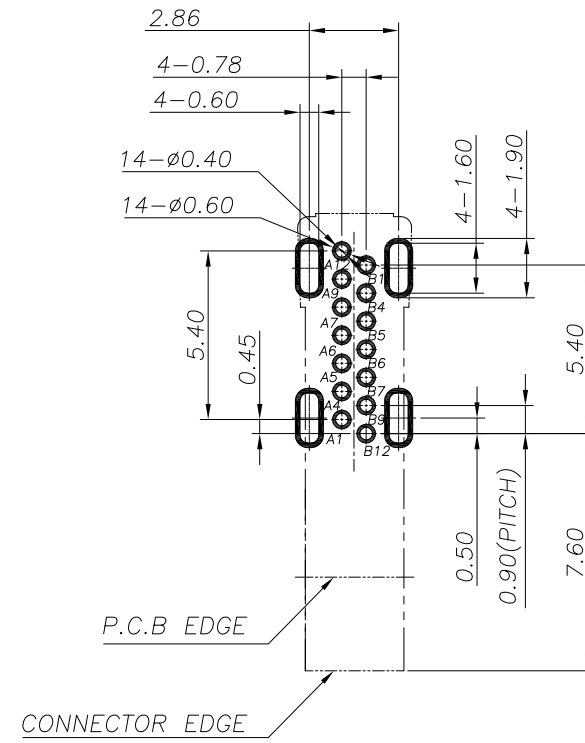
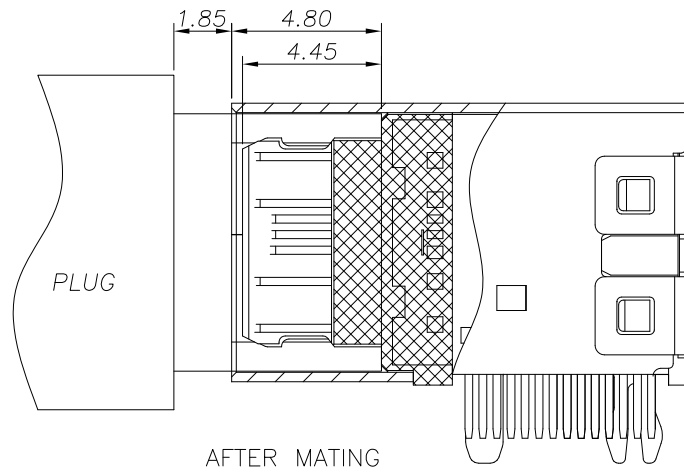
236F314-XN001D-X 

SERIES CODE ———— R:RoHS  
DIP ———— H:HALOGEN FREE  
FEMALE ———— FOLLOW NUMBER  
USB C TYPE ———— CONTACT PLATING OPTION:  
NUMBER OF POSITIONS ———— 0 : GOLD FLASH  
3 : 15u" GOLD  
6 : 30u" GOLD



GENERAL TOLERANCE		DRAWER	 ASTRON TECHNOLOGY CORP.	
DIM.		CHECK		
ANG.		APP'D	NAME	
3rd ANGLE PROJECTION		PACKAGE SPEC.	USB C TYPE 14PIN FEMALE	
UNITS : mm [inch]		CONFIDENTIAL	DRAW NO. 236F314-XN001D-X	
SCALE	SIZE	SHEET	REV.	C NO.
NONE	A4	1 OF 3	C	08031(T0185) 


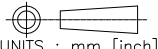
REV.	DESCRIPTION	DATE
A	RELEASE	Jan.16, 2019
B	DRAW MODIFY	Feb.13, 2019
C	DRAW CORRECT	Dec.21, 2022



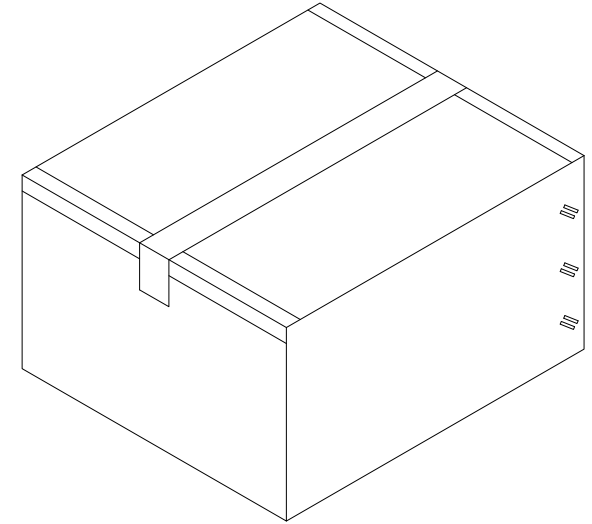
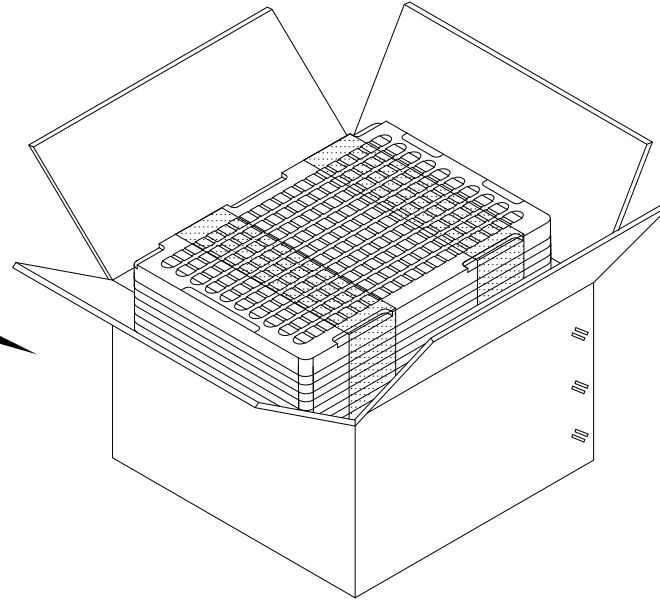
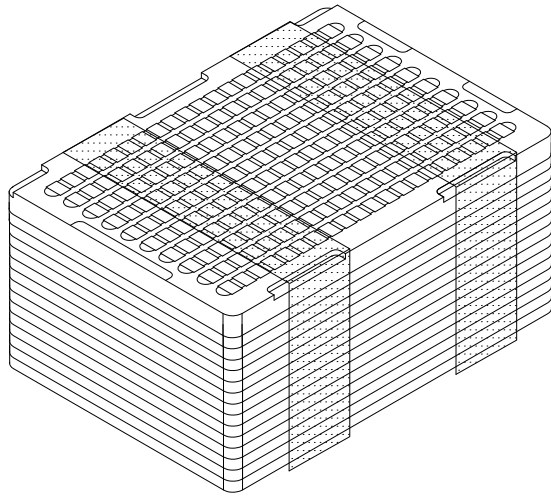
USB TYPE-C PIN ASSIGNMENTS

PIN NUMBER	SIGNAL NAME	PIN NUMBER	SIGNAL NAME
A1	GND	B12	GND
A4	VBUS	B9	VBUS
A5	CC1		
A6	Dp1	B7	Dn2
A7	Dn1	B6	Dp2
		B5	CC2
A9	VBUS	B4	VBUS
A12	GND	B1	GND

RECOMMENDED P.C.B LAYOUT  
TOLERANCE ±0.05mm (TOP VIEW)

GENERAL TOLERANCE		DRAWER	 <b>ASTRON TECHNOLOGY CORP.</b>
DIM. 0. = ± .0 = ±0.30 .00 = ±0.20 .000 = ±0.10		CHECK	
ANG. 0° = ±5° .0° = ±3°		APP'D	NAME
3rd ANGLE PROJECTION  UNITS : mm [inch]		PACKAGE SPEC.	USB C TYPE 14PIN FEMALE
SCALE NONE		SIZE A4	DRAW NO. 236F314-XN001D-X
SHEET 2 OF 3		REV. C	C NO. 08031(T0185)

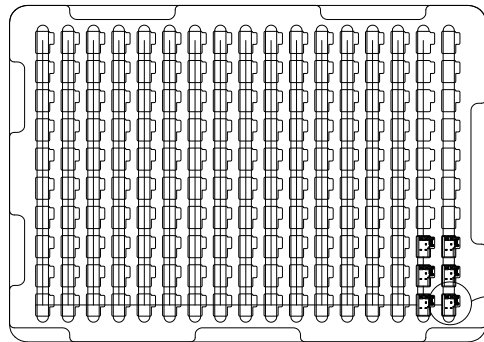
REV.	DESCRIPTION	DATE
A	RELEASE	Jan.16, 2019
B	DRAW MODIFY	Feb.13, 2019
C	DRAW CORRECT	Dec.21, 2022



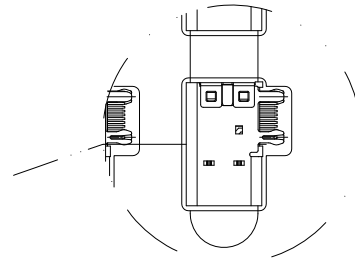
6800PCS/CARTON


QUANTITY:

- 170PCS/TRAY.
- 40TRAY/6800PCS/CARTON.



170PCS/TRAY



GENERAL TOLERANCE		DRAWER <i>KENNY</i>		 <b>ASTRON TECHNOLOGY CORP.</b>	
DIM.		CHECK <i>ERJB</i>			
ANG.		APP'D <i>ALAN</i>		NAME	
UNITS : mm [inch]		PACKAGE SPEC. -		USB C TYPE 14PIN FEMALE	
SCALE NONE		CONFIDENTIAL		DRAW NO. 236F314-XN001D-X	
SIZE A4		SHEET 3 OF 3		REV. C	
				C NO. 08031(T0185)	