

REV.	DESCRIPTION	DATE
1	PROPOSAL	Mar. 23, 2015
2	DRAW. MODIFY	Apr. 21, 2015
3	P/N MODIFY	Dec. 07, 2016
4	ADD. PIN ASSIGNMENTS	Feb. 14, 2017

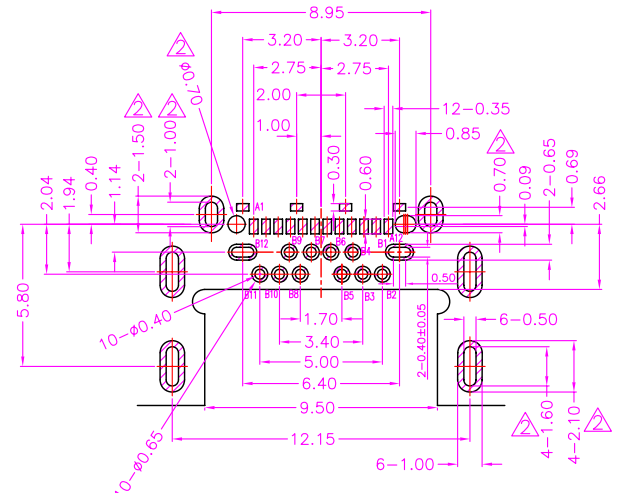
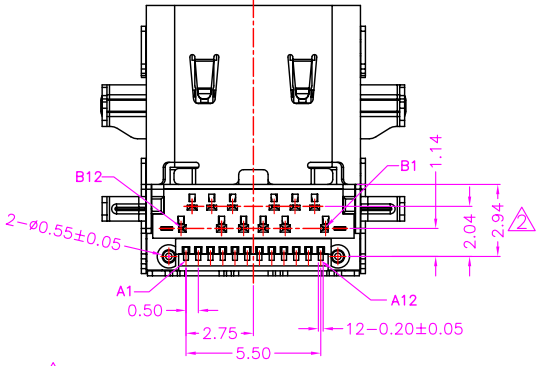
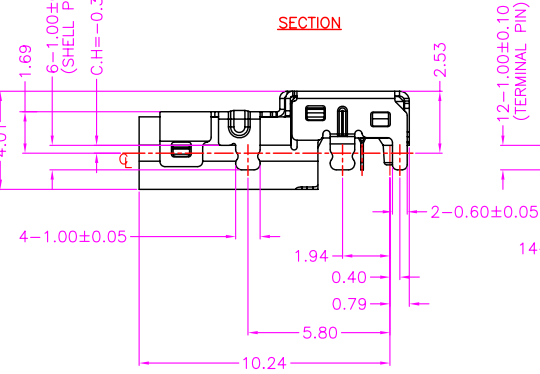
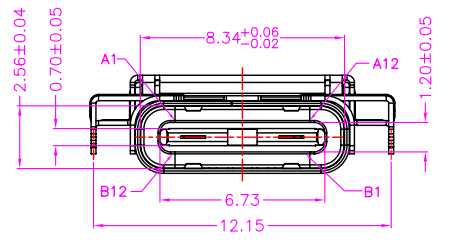
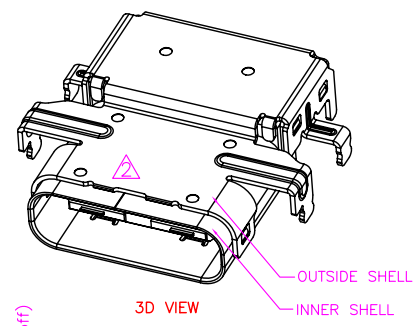
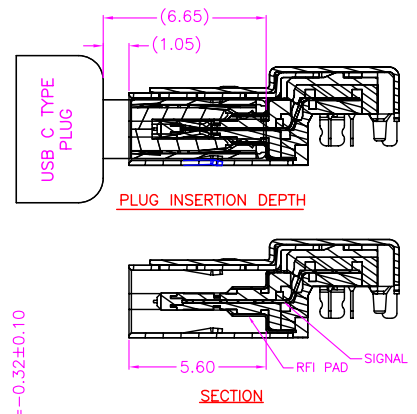
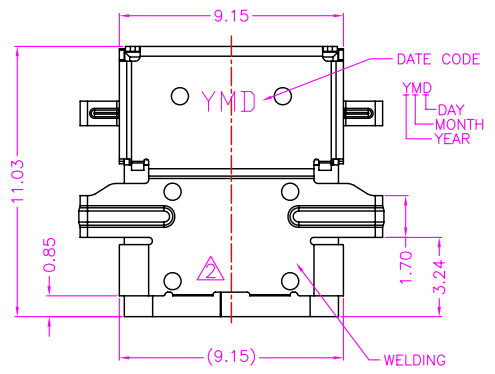
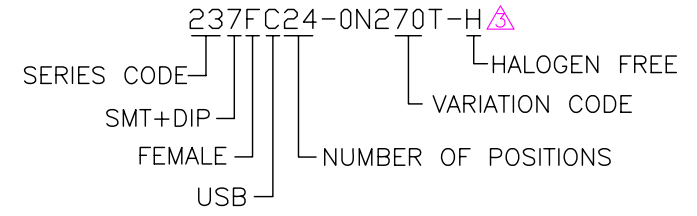
**MATERIALS**

- HOUSING : L.C.P (UL 94V-0), BLACK.
- TERMINAL : COPPER ALLOY. (t=0.10mm)  
GOLD FLASH ON CONTACT AREA,  
TIN PLATED ON SOLDER TAIL,  
UNDER NICKEL PLATED OVER ALL.
- RFI PAD : STAINLESS STEEL. (t=0.08mm)
- SIGNAL : STAINLESS STEEL. (t=0.10mm)
- INNER & OUTSIDE SHELL :  
STAINLESS STEEL, (t=0.20mm), NICKEL PLATING

**SPECIFICATION**

- CURRENT RATING : 3.0 AMP.
- VOLTAGE RATING : 5.0 V
- INSULATION RESISTANCE : 100M OHMS MIN.
- CONTACT RESISTANCE :  
40m OHMS MAX. FOR VBUS & GND PIN  
40m OHMS MAX. FOR OTHER PIN
- OPERATING TEMPERATURE : -40°C TO +85°C.
- MATING FORCE : 0.5~2.0kgf
- UNMATING FORCE : 0.8~2.0kgf
- DURABILITY : 10,000 CYCLE.

**PART NUMBER INFORMATION :**



RECOMMEND P.C.B. LAYOUT  
TOP VIEW

Pin	Signal Name	Mating Sequence	Pin	Signal Name	Mating Sequence
A1	GND	First	B12	GND	First
A2	SSTXp1	Second	B11	SSRXp1	Second
A3	SSTXn1	Second	B10	SSRXn1	Second
A4	Vbus	First	B9	Vbus	First
A5	CC1	Second	B8	SBU2	Second
A6	Dp1	Second	B7	Dn2	Second
A7	Dn1	Second	B6	Dp2	Second
A8	SBU1	Second	B5	CC2	Second
A9	Vbus	First	B4	Vbus	First
A10	SSRXn2	Second	B3	SSTXn2	Second
A11	SSRXp2	Second	B2	SSTXp2	Second
A12	GND	First	B1	GND	First
SHELL	GND		SHELL	GND	

TOLERANCE	
.0=±0.30	
.00=±0.20	
.000=±	
.0000=±.	
ANG.=±3°	

DRAWER	JINJ
CHECK	NFOLE
APP'D	ERP
PRODUCT SPEC.	
UNITS : mm	
SCALE NONE	SIZE A4
SHEET 1 OF 2	REV. 4

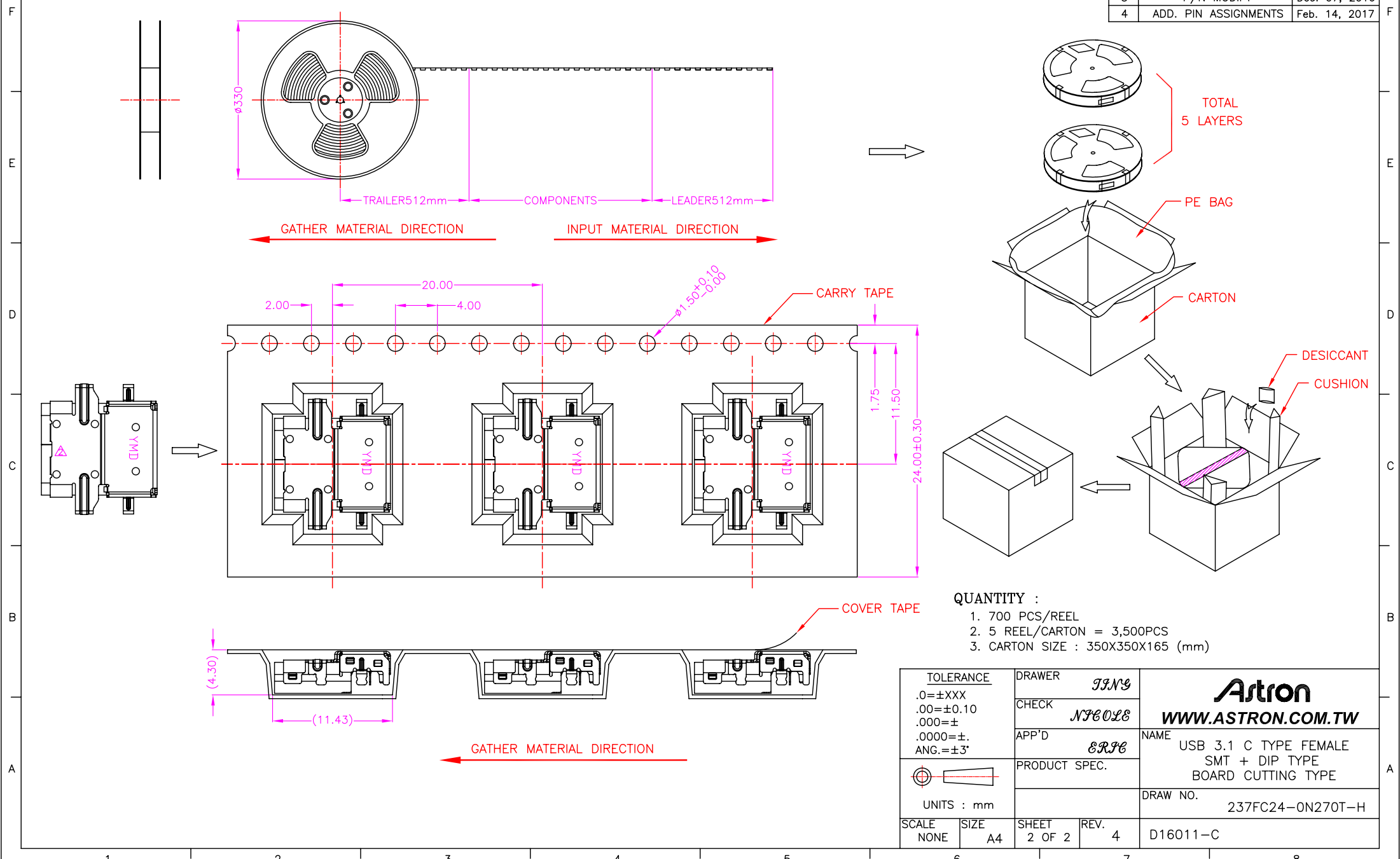
**Astron**  
WWW.ASTRON.COM.TW

NAME  
USB 3.1 C TYPE FEMALE  
SMT + DIP TYPE  
BOARD CUTTING TYPE

DRAW NO. 237FC24-0N270T-H

D16011-C

REV.	DESCRIPTION	DATE
1	PROPOSAL	Mar. 23, 2015
2	DRAW. MODIFY	Apr. 21, 2015
3	P/N MODIFY	Dec. 07, 2016
4	ADD. PIN ASSIGNMENTS	Feb. 14, 2017



- QUANTITY :
- 1. 700 PCS/REEL
  - 2. 5 REEL/CARTON = 3,500PCS
  - 3. CARTON SIZE : 350X350X165 (mm)

TOLERANCE		DRAWER		 <b>WWW.ASTRON.COM.TW</b>	
.0=±XXX		JIN			
.00=±0.10		CHECK			
.000=±		NFOLE			
.0000=±		APP'D		NAME	
ANG.=±3°		ERP			USB 3.1 C TYPE FEMALE SMT + DIP TYPE BOARD CUTTING TYPE
		PRODUCT SPEC.		DRAW NO.	
UNITS : mm					237FC24-0N270T-H
SCALE	SIZE	SHEET	REV.	D16011-C	
NONE	A4	2 OF 2	4		