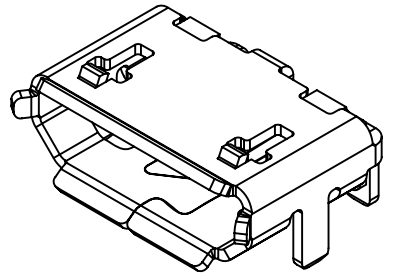
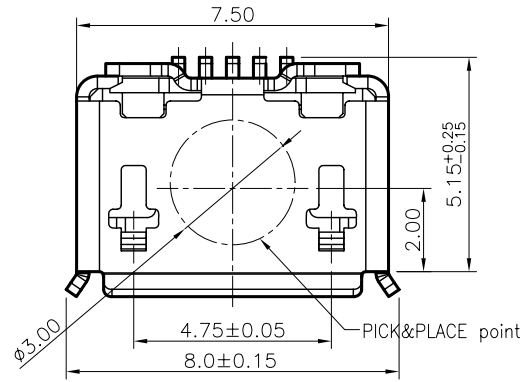


| REV. | DESCRIPTION | DATE |
|------|-------------|--------------|
| A | RELEASE | Jan 10, 2013 |

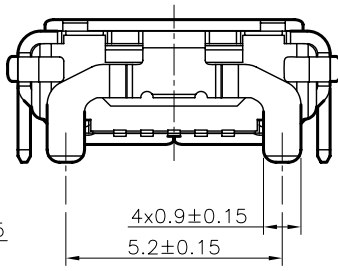
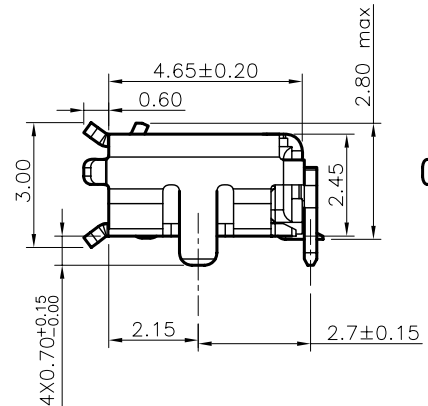
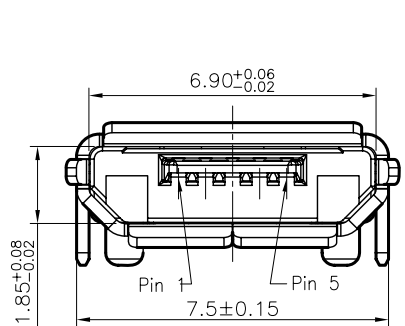


MATERIALS

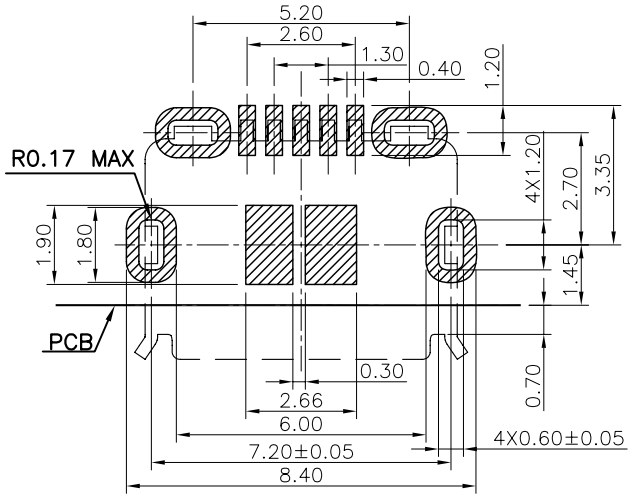
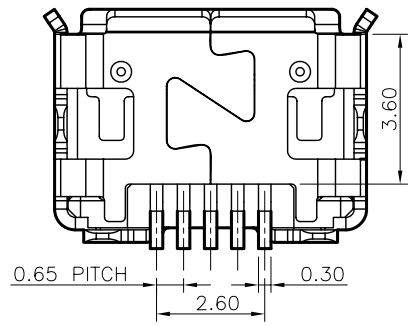
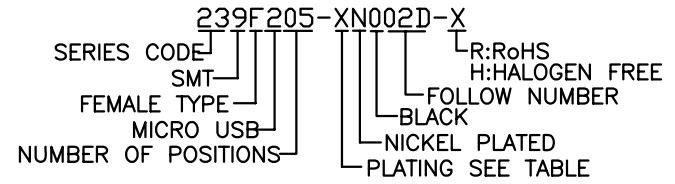
- HOUSING: THERMOPLASTIC (UL 94V-0) BLACK.
- TERMINAL: COPPER ALLOY,
PLATING: GOLD PLATED OVER NICKEL.
- SHELL: STAINLESS STEEL,
PLATING: NICKEL PLATED OVERALL.

SPECIFICATION

- VOLTAGE RATING: 30V AC
- CURRENT RATING:
WHEN APPLYING CURRENT ONLY TO SIGNAL TERMINALS:
1.0A (FOR TERMINAL NO. 2, 3 AND 4)
WHEN APPLYING CURRENT TO THE POWER TERMINALS:
1.8A (FOR TERMINAL NO. 1 AND 5),
0.5A (FOR TERMINAL NO. 2, 3 AND 4),
- INSULATION RESISTANCE: 1000MΩ MIN AT 500V DC.
- DIELECTRIC WITHSTANDING VOLTAGE: 500V AC FOR 1 MINUTE.
- CONTACT RESISTANCE: 30mΩ MAX.
- OPERATING TEMPERATURE: -30°C To +85°C.



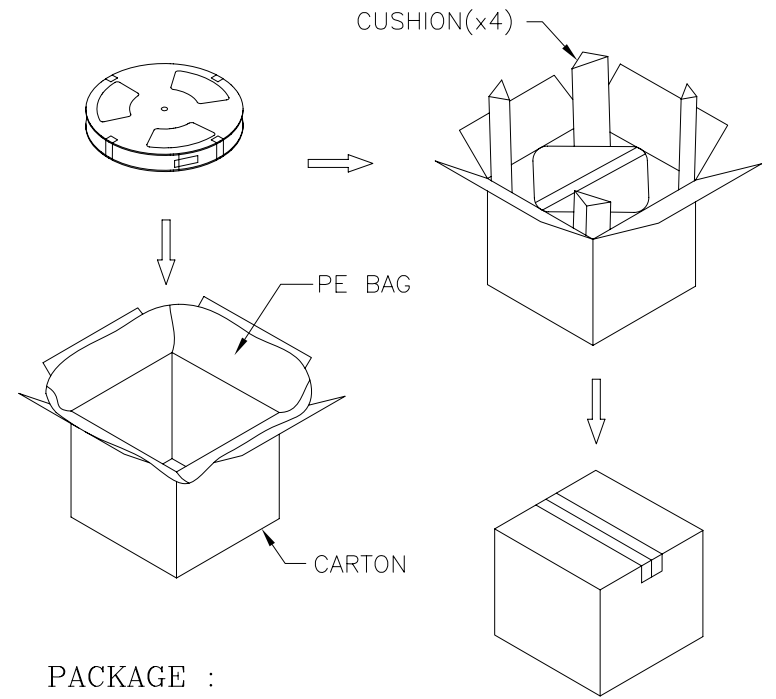
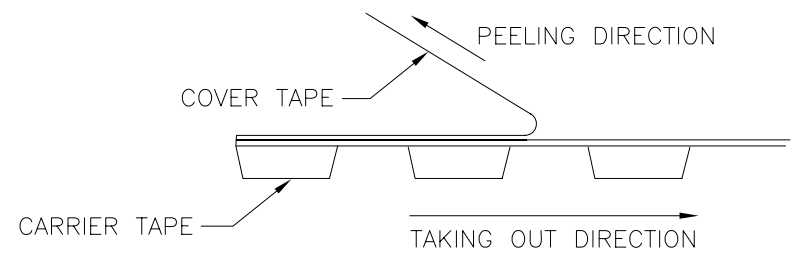
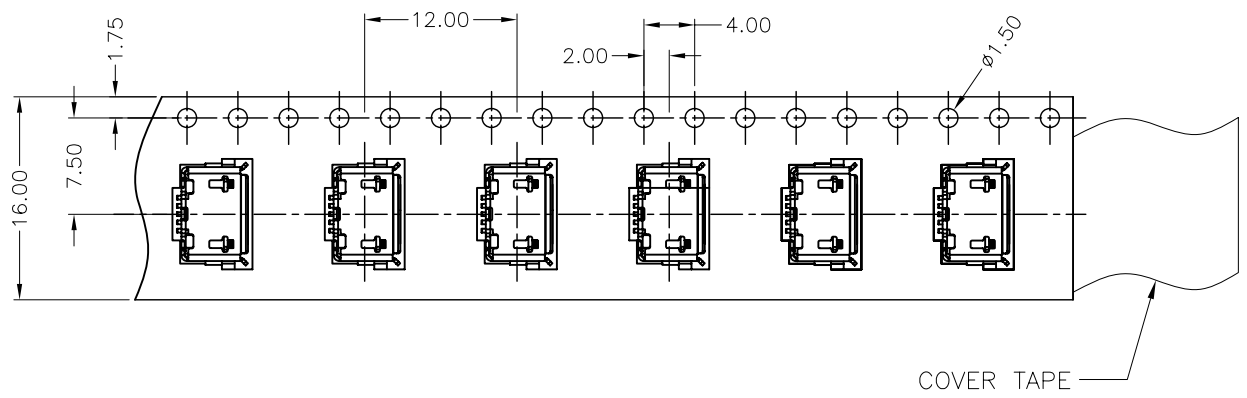
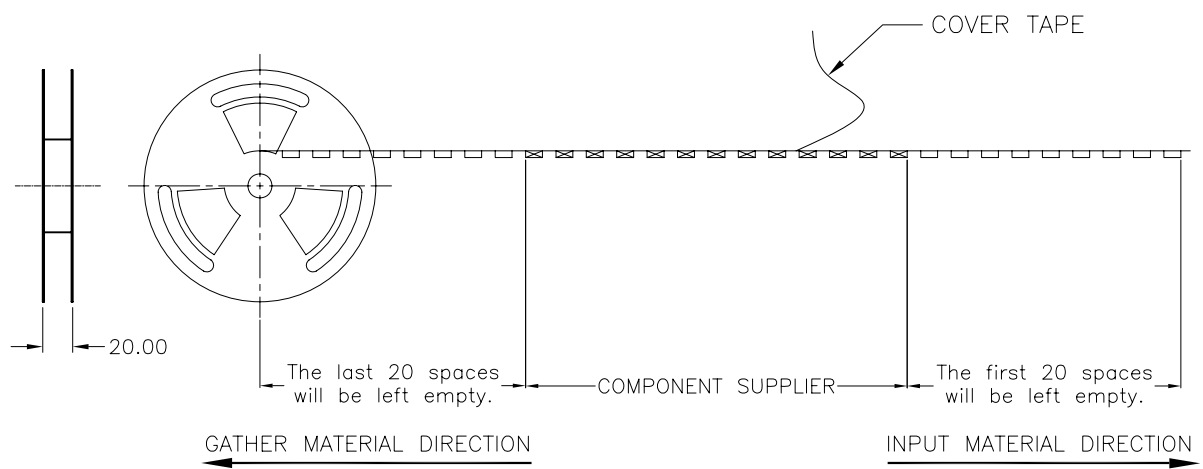
PART NUMBER INFORMATION :



RECOMMENDED P.C.B. LAYOUT
TOLERANCE: ±0.05
TOP VIEW

| DESCRIPTION OF PLATING ON TERMINALS | | | |
|---|------------|--|-----------|
| NO. | EXPLAIN | NO. | EXPLAIN |
| 0 | GOLD FLASH | 3 | GOLD 15u" |
| 6 | GOLD 30u" | | |
| TOLERANCE .0=±0.25 .00=±0.10 .000=±0.05 ANG.=±3° | | DRAWER <i>372</i> CHECK <i>Henry</i> APP'D <i>Lion</i> | |
| UNITS : mm | | ASTRON ASTRON TECHNOLOGY CORP. NAME MICRO USB 5P | |
| SCALE NONE | | DRAW NO. R239F205-XN002D-X | |
| SIZE A9 | | SHEET 1 OF 1 | |
| | | REV. A | |

| REV. | DESCRIPTION | DATE |
|------|-------------|--------------|
| A | RELEASE | May 16, 2013 |



PACKAGE :

1. SIZE :
 REEL : DIA.=330mm
 CORTON : 350x350x340mm (LxWxH)
2. QUANTITY :
 1000 PCS/REEL
 14 REEL/CARTON = 14000PCS

| | | | | |
|------------|------|---------------|------|------------------------------------|
| TOLERANCE | | DRAWER | | ASTRON TECHNOLOGY CORP. |
| .0=± | | LWY | | |
| .00=± | | JNY | | |
| .000=± | | APP'D | | NAME |
| ANG.=± | | ERF | | |
| | | PRODUCT SPEC. | | DRAW NO. |
| UNITS : mm | | — | | |
| SCALE | SIZE | SHEET | REV. | FOR: 239F205-XN002D-X |
| NONE | A4 | 1 OF 1 | A | |