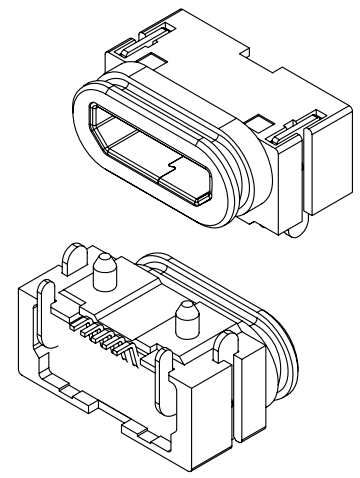
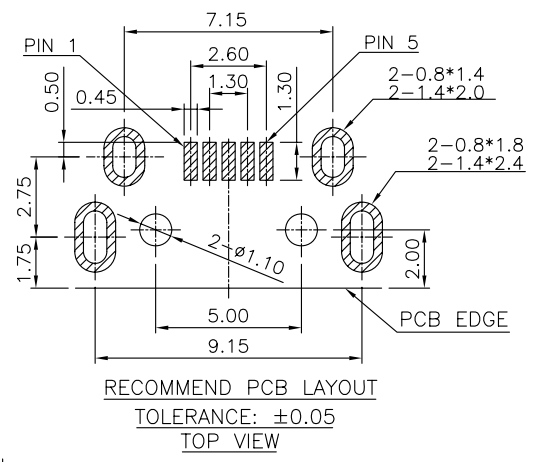
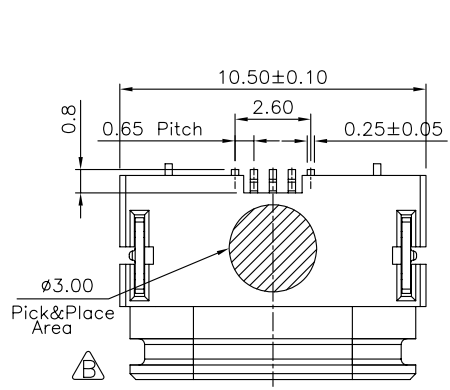


| REV. | DESCRIPTION | DATE |
|------|-------------|--------------|
| A | N16'08005 | Aug 16, 2016 |
| B | N17'09001 | Sep 09, 2017 |

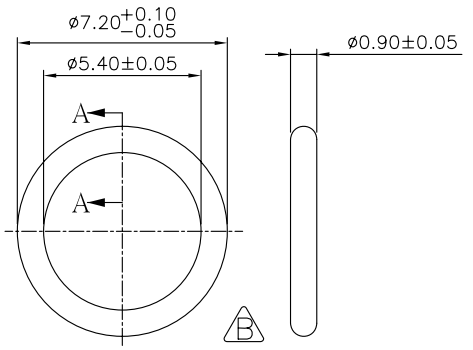
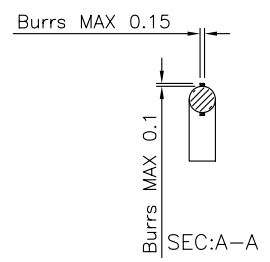
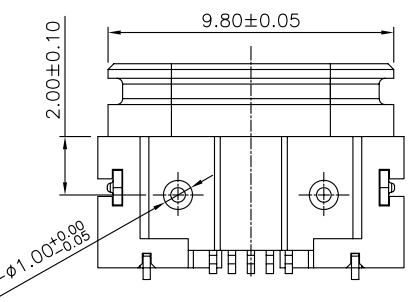
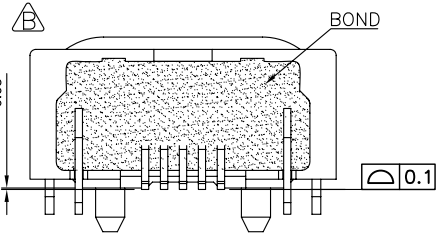
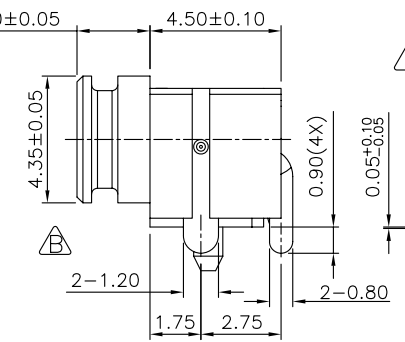
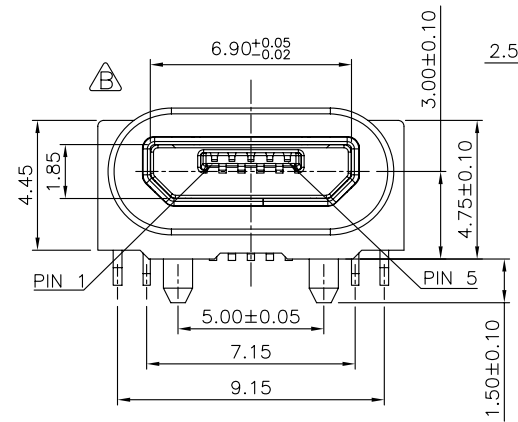


MATERIALS

- HOUSING : LCP (UL 94V-0) BLACK.
- COVER : PA9T (UL 94V-0) BLACK.
- TERMINAL : COPPER ALLOY,
PLATING : GOLD PLATED ON CONTACT AREA, T
IN PLATED ON SOLDER TAILS.
- SHELL : STEEL,
PLATING : NICKEL PLATED OVERALL.
- STATOR : SPCC,
PLATING : TIN PLATED OVERALL.

SPECIFICATION

- CURRENT RATING : 1.8A (PIN1/5), 0.5A (PIN2/3/4)
- DIELECTRIC WITHSTANDING VOLTAGE :
500V AC R.M.S. FOR 1 MINUTE.
- INSULATION RESISTANCE : 1000MΩMIN.AT 500V DC.
- CONTACT RESISTANCE : 30mΩ MAX.
- OPERATING TEMPERATURE : -40°C TO +85°C.
- INSERTION FORCE : 3.6 KGF (MAX)
- WITHDRAWAL FORCE : 0.8 KGF(Reference)
- DURABILITY: 10,000 CYCLES .
- WATER PROOFNESS:THIS PRODUCT IS BASED ON IPX7



239F205-XN005D-R
 SERIES CODE: 239F205
 SMT: XN005D
 FEMLAE: R
 NUMBER OF POSITIONS: 5
 PLATING: SEE TABLE
 R:RoHS
 FOLLOW NUMBER

| DESCRIPTION OF PLATING ON TERMINALS | | | |
|-------------------------------------|------------|-----|------------|
| NO. | EXPLAIN | NO. | EXPLAIN |
| 0 | GOLD FLASH | 3 | GOLD 15u'' |
| 6 | GOLD 30u'' | | |

| | | |
|--|---|---|
| TOLERANCE .0=±0.25 .00=±0.15 .000=±0.05 ANG.=±3' | DRAWER <i>Chen</i> CHECK <i>Stony</i> APP'D <i>Stony</i> | ASTRON TECHNOLOGY CORP. NAME MICRO USB WATERPROOF CONNECTOR DRAW NO. 239F205-XN005D-R |
| UNITS : mm | PRODUCT SPEC. --- | |
| SCALE NONE | SIZE A8 | |
| SHEET 1 OF 1 | REV. B | |

