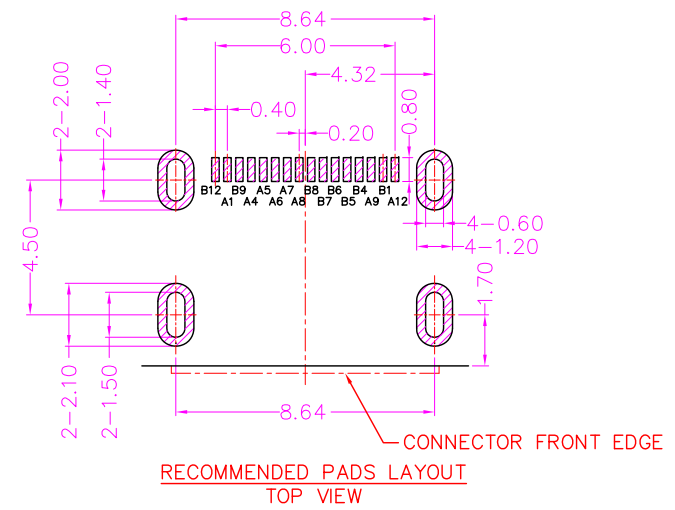
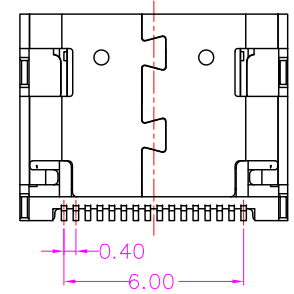
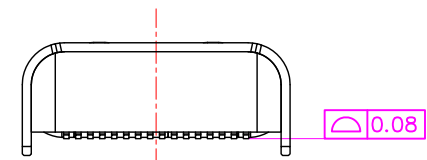
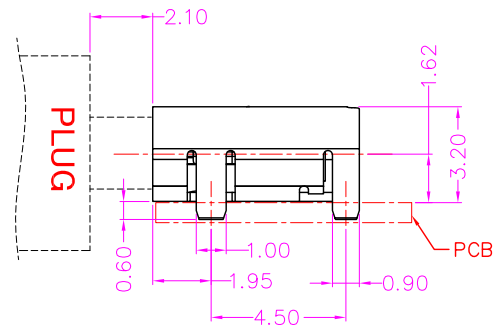
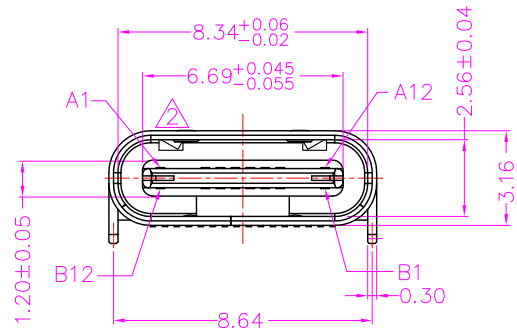
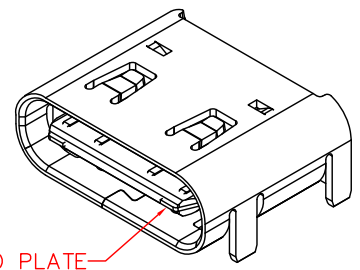
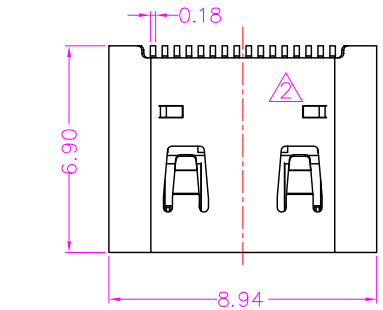


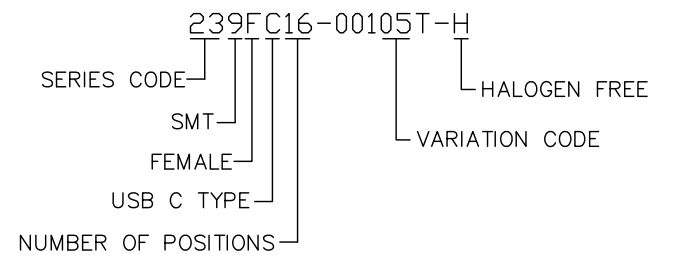
REV.	DESCRIPTION	DATE
1	PROPOSAL	Jun. 22, 2016
2	DRAW MODIFY	Jul. 14, 2016

MATERIALS

1. HOUSING : HI-TEMP. PLASTIC (UL 94V-0), BLACK.
2. TERMINAL : COPPER ALLOY, GOLD FLASH PLATING OVER NICKEL.
3. MID PLATE : STAINLESS STEEL.
4. SHELL : STAINLESS STEEL, GOLD FLASH ON SOLDER AREA. NICKEL UNDER PLATING OVERALL.



PART NUMBER INFORMATION :



PIN ASSIGNMENT																
PIN	B12	A1	B9	A4	A5	A6	A7	A8	B8	B7	B6	B5	B4	A9	B1	A12
	GND		VBUS		CC1	D+	D-	SBU1	SBU2	D-	D+	CC2	VBUS		GND	

TOLERANCE .0=±0.25 .00=±0.15 .000=± .0000=± ANG.=±3°		DRAWER <i>NFOLE</i>		 WWW.ASTRON.COM.TW	
 UNITS : mm		CHECK <i>JJNG</i>			
SCALE NONE		SIZE A4		DRAW NO. 239FC16-00105T-H	
SHEET 1 OF 1		REV. 2		08029	