

REV.	DESCRIPTION	DATE
A	RELEASE	Jun. 06, 2014
B	ADD. PIN ASSIGNMENTS	May. 24, 2016
C	ADD. HOUSING COLOR	Jul. 20, 2017

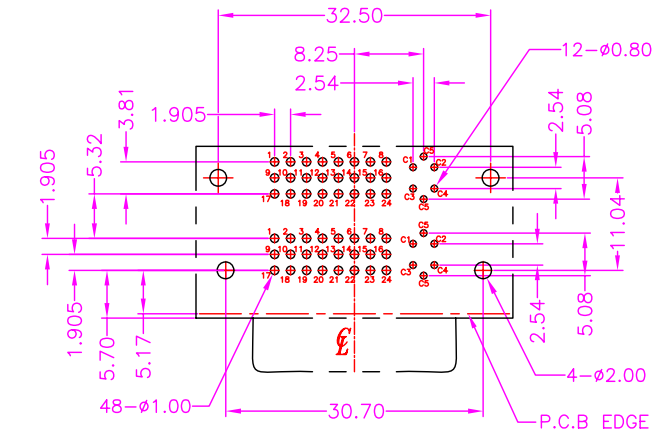
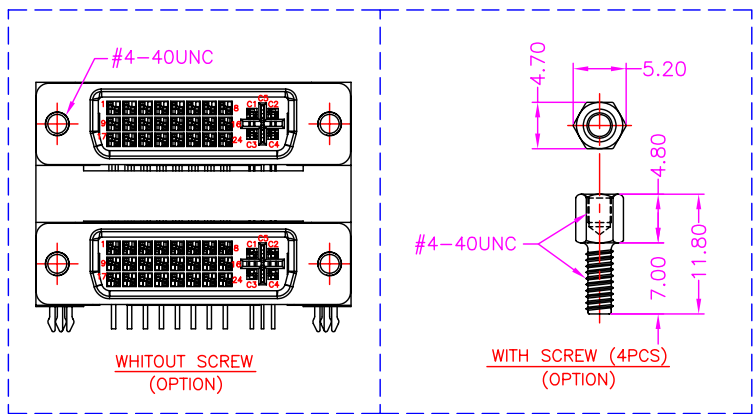
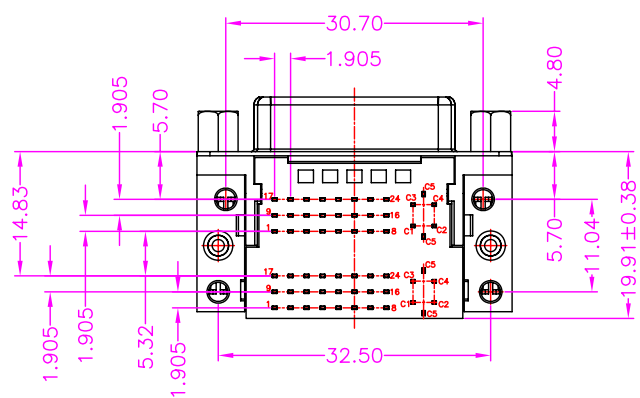
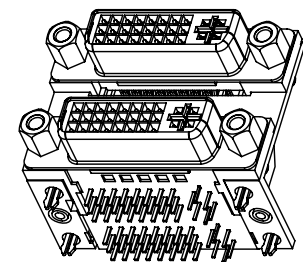
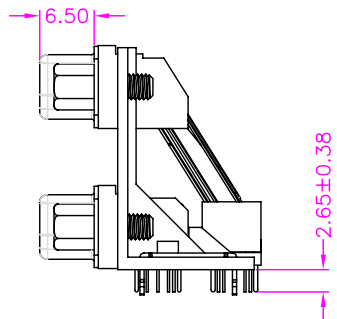
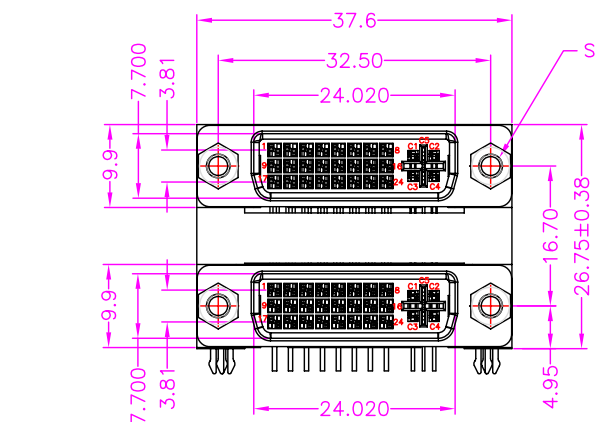
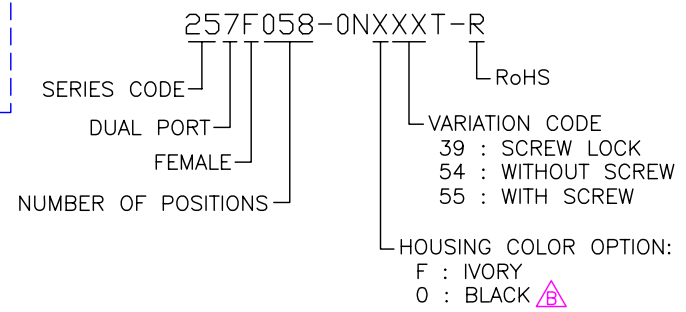
MATERIALS

- HOUSING : P.B.T. (UL 94V-0).
- COVER : L.C.P. (UL 94V-0), BLACK.
- TERMINAL : BRASS, GOLD PLATED ON CONTACT AREA, TIN PLATED ON SOLDER TAIL, UNDER NICKEL PLATED OVER ALL.
- SHELL : SPCC, NICKEL PLATING.
- BOARDLOCK : BRASS, TIN PLATING.
- BRACKET : ZN ALLOY, NICKEL PLATING.
- SCREW (OPTION) : COPPER ALLOY, NICKEL PLATING.

SPECIFICATION

- CURRENT RATING : 1.5 AMP. MAX.
- VOLTAGE RATING : 40V AC R.M.S. MAX.
- DIELECTRIC WITHSTANDING VOLTAGE : 500V DC R.M.S. FOR ONE MINUTE.
- INSULATION RESISTANCE : 1000M OHMS MIN.
- CONTACT RESISTANCE : TOP 30m OHMS MAX. BOTTOM 20m OHMS MAX.
- OPERATING TEMPERATURE : -55°C TO +85°C.
- MATING FORCE : 4.5 Kgf MAX.
- UNMATING FORCE : 1.0 Kgf MIN.

PART NUMBER INFORMATION :



PIN ASSIGNMENTS

Pin	Signal Assignment	Pin	Signal Assignment	Pin	Signal Assignment
1	T.M.D.S. Data2-	9	T.M.D.S. Data1-	17	T.M.D.S. Data0-
2	T.M.D.S. Data2+	10	T.M.D.S. Data1+	18	T.M.D.S. Data0+
3	T.M.D.S. Data2/4 Shield	11	T.M.D.S. Data1/3 Shield	19	T.M.D.S. Data0/5 Shield
4	T.M.D.S. Data4-	12	T.M.D.S. Data3-	20	T.M.D.S. Data5-
5	T.M.D.S. Data4+	13	T.M.D.S. Data3+	21	T.M.D.S. Data5+
6	DDC Clock	14	+5V Power	22	T.M.D.S. Clock Shield
7	DDC Data	15	Ground (return for +5V, HS ync, and VS ync)	23	T.M.D.S. Clock +
8	Analog Vertical Sync	16	Hot Plug Detect	24	T.M.D.S. Clock -
C1	Analog Red	C2	Analog Green	C3	Analog Blue
C4	Analog Horizontal Sync	C5	Analog Ground (analog R, G, & B return)		

TOLERANCE .0=±0.38 .00=±0.25 .000=±0.13 .0000=±. ANG.=±3°		DRAWER <i>JJNG</i>	 WWW.ASTRON.COM.TW NAME STACKED DVI-I CONNECTOR RIGHT ANGLE TYPE DRAW NO. 257F058-0NXXXT-R
 UNITS : mm		CHECK <i>NGOLE</i>	
SCALE NONE		APP'D <i>BRFB</i>	
SIZE A4	SHEET 1 OF 1	REV. C	