

REV.	DESCRIPTION	DATE
A	RELEASE	Sep 09, 2010
B	N15'03011	Mar 20, 2015
C		Apr 10, 2017

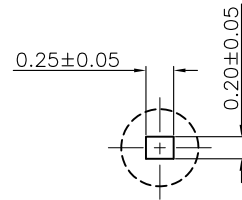
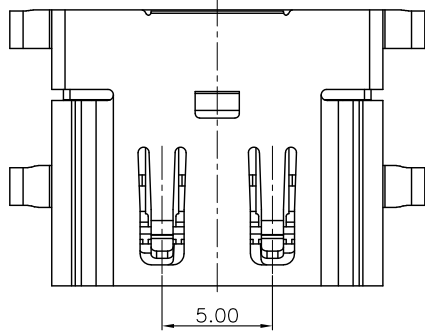
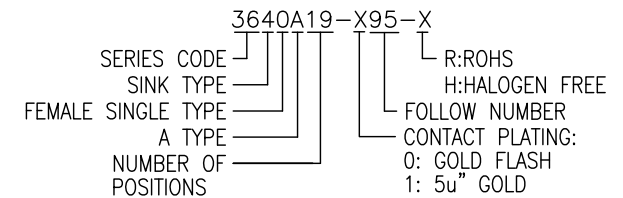
MATERIALS

- HOUSING : THERMOPLASTIC (UL 94V-0).
- TERMINAL : COPPER ALLOY, GOLD PLATED ON CONTACT AREA, GOLD PLATED ON TAIL.
- SHELL : COPPER ALLOY, NICKEL PLATED OVERALL

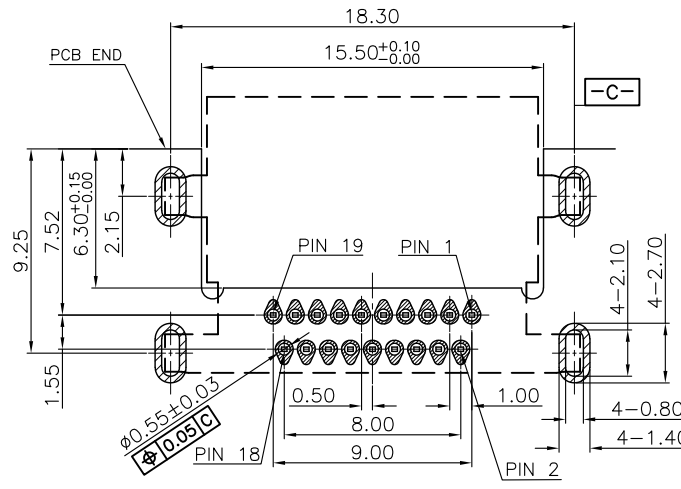
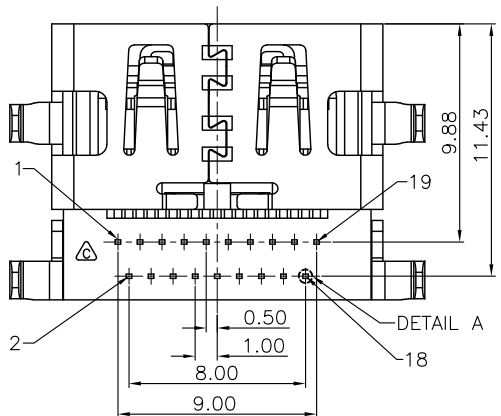
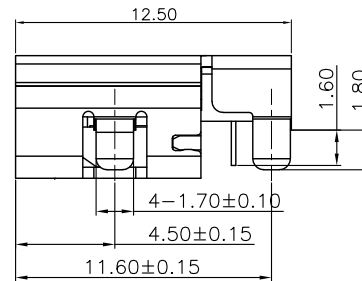
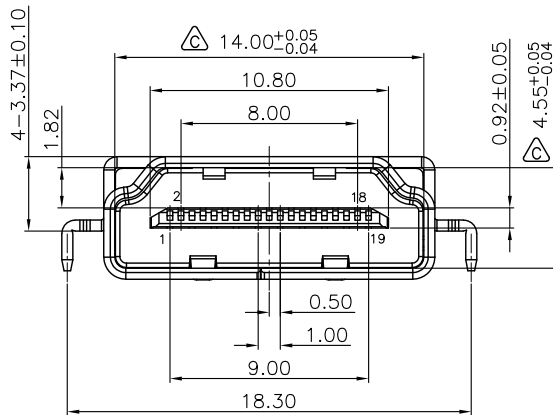
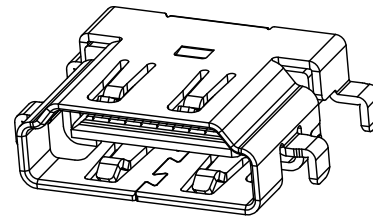
SPECIFICATION

- CURRENT RATING : 0.5 A. MAX.
- DIELECTRIC WITHSTANDING VOLTAGE : 500V AC R.M.S. FOR ONE MINUTE.
- INSULATION RESISTANCE : 1000MΩ MIN. AT 500V DC.
- CONTACT RESISTANCE : 30MΩ MAX.
- OPERATING TEMPERATURE : -25°C TO +85°C.

PART NUMBER INFORMATION:



DETAIL A
SCALE 5:1



RECOMMENDED P.C.B. LAYOUT
(TOLERANCE=±0.03mm)
(TOP VIEW)

PIN	SIGNAL ASSIGNMENT	PIN	SIGNAL ASSIGNMENT	PIN	SIGNAL ASSIGNMENT
1	TMDS Data2+	8	TMDS Data0 Shield	15	SCL
2	TMDS Data2 Shield	9	TMDS Data0 -	16	SDA
3	TMDS Data2-	10	TMDS Clock+	17	DDC/CEC Ground
4	TMDS Data1+	11	TMDS Clock Shield	18	+5V Power
5	TMDS Data1 Shield	12	TMDS Clock-	19	Hot Plug Detect
6	TMDS Data1-	13	CEC		
7	TMDS Data0+	14	Reserved (N.C. on device)		

TOLERANCE		DRAWER		 ASTRON TECHNOLOGY CORP.
.0=±0.38		CHECK		
.00=±0.25		APP'D		
.000=±0.10		PRODUCT SPEC.		
ANG.=±3°		UNITS : mm		NAME
		SCALE NONE		HDMI TYPE A FEMALE REVERSE DIP TYPE
SIZE A4		SHEET 1 OF 1		DRAW NO.
REV. C		REV. C		R3640A19-X95-X