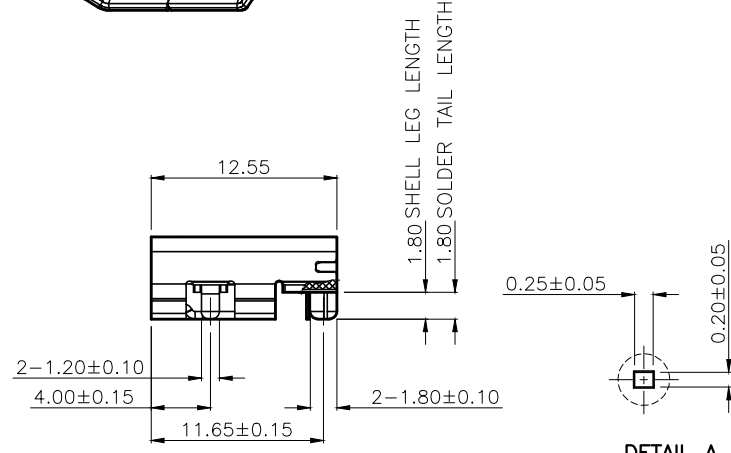
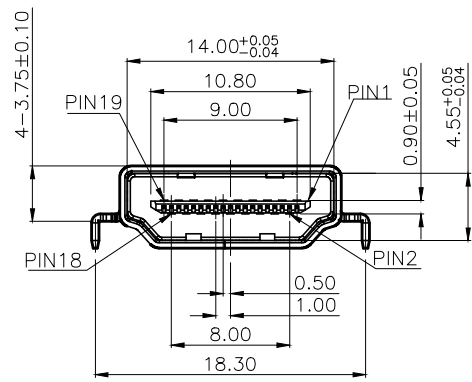
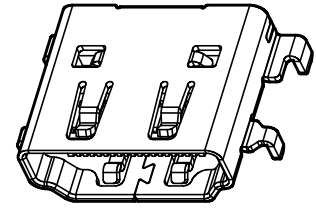
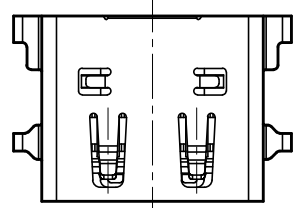
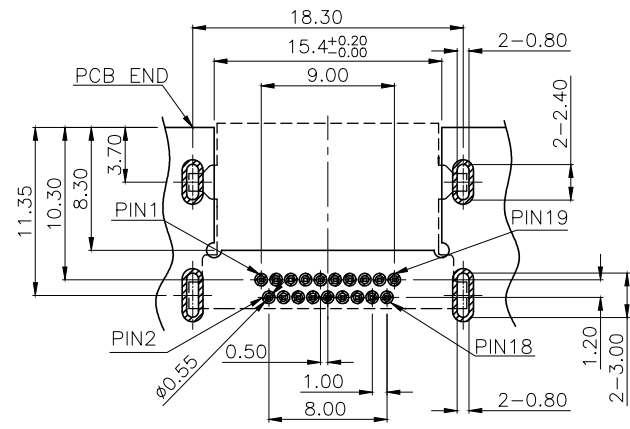
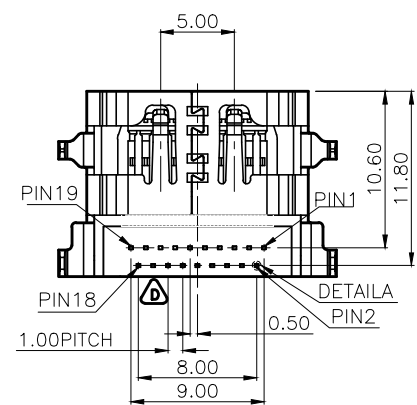


REV.	DESCRIPTION	DATE
A	RELEASE	JUN 10, 2011
B	N13'01052	Jan 25, 2013
C	N15'03011	Mar 19, 2015
D	CHANGE OF DRAWING	May 08, 2017



DETAIL A
SCALE 5:1



RECOMMEND PCB LAYOUT
TOLERANCE: ±0.05
TOP VIEW

MATERIALS

1. HOUSING : THERMOPLASTIC (UL 94V-0).
2. TERMINAL : COPPER ALLOY, GOLD PLATED ON CONTACT AREA, Δ GOLD PLATED ON SOLDER TAIL.
3. SHELL : COPPER ALLOY, NICKEL PLATED OVERALL

SPECIFICATION

1. CURRENT RATING : 0.5 A. MAX.
2. DIELECTRIC WITHSTANDING VOLTAGE : 500V AC R.M.S. FOR ONE MINUTE.
3. INSULATION RESISTANCE : 100M Ω MIN(UNMATED) AT 500V DC.
4. CONTACT RESISTANCE : 30m Ω MAX.
5. OPERATING TEMPERATURE : -25°C TO +85°C.

ORDER INFORMATION:

3640A19-X96-X
 SERIES CODE
 SINK TYPE
 FEMALE SINGLE TYPE
 A TYPE
 NUMBER OF POSITIONS
 R:ROHS
 H:HALOGEN FREE
 FOLLOW NUMBER
 PLATING SEE TABLE

DESCRIPTION OF PLATING ON TERMINALS			
NO.	EXPLAIN	NO.	EXPLAIN
0	GOLD FLASH	3	GOLD 15u"
1	GOLD 5u"	4	GOLD 20u"
2	GOLD 10u"	6	GOLD 30u"

PIN	SIGNAL ASSIGNMENT	PIN	SIGNAL ASSIGNMENT	PIN	SIGNAL ASSIGNMENT
1	TMDS DATA2+	8	TMDS DATA0 SHIELD	15	SCL
2	TMDS DATA2 SHIELD	9	TMDS DATA0- Δ	16	SDA
3	TMDS DATA2-	10	TMDS CLOCK+	17	DDC/CEC GROUND
4	TMDS DATA1+	11	TMDS CLOCK SHIELD	18	+5V POWER
5	TMDS DATA1 SHIELD	12	TMDS CLOCK-	19	HOT PLUG DETECT
6	TMDS DATA1-	13	CEC		
7	TMDS DATA0+	14	RESERVED (N.C. ON DEVICE)		

TOLERANCE .0=±0.25 .00=±0.15 .000=±0.05 ANG.=±3°		DRAWER <i>Duan</i> CHECK <i>Hony</i> APP'D <i>Hony</i>		 ASTRON TECHNOLOGY CORP. NAME: HDMI A TYPE	
UNITS : mm		PRODUCT SPEC. —			
SCALE NONE		SIZE A6		SHEET 1 OF 1	
		REV. D		DRAW NO. R3640A19-X96-X	