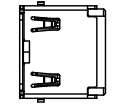
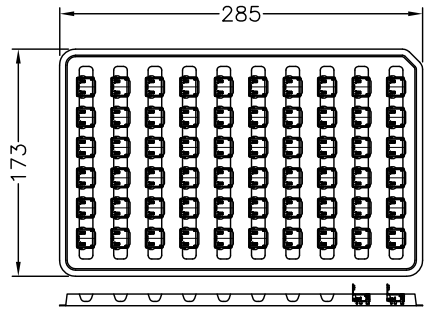
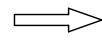




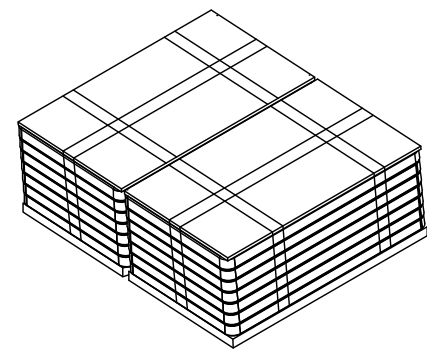
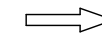
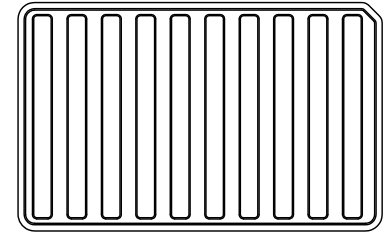
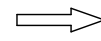
| REV. | DESCRIPTION | DATE          |
|------|-------------|---------------|
| A    | RELEASE     | JAN. 29, 2019 |
| B    | DRAW,MODIFY | Mar. 20, 2019 |



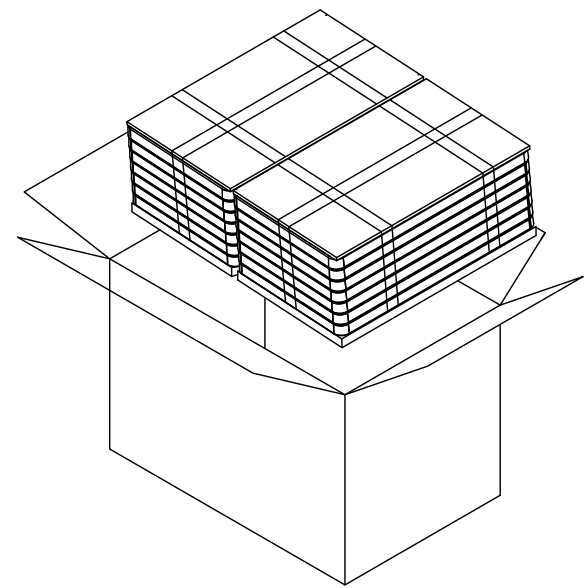
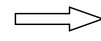
PRODUCT



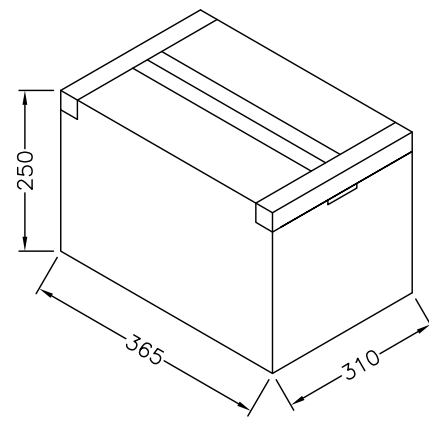
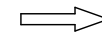
TRAY  
60 PCS



2 STACKS/13 TRAY  
780 PCS



2 STACKS=60 PCS \* 13 TRAY  
1560 PCS



CARTON  
1560 PCS

|            |      |               |      |  |
|------------|------|---------------|------|--|
| TOLERANCE  |      | DRAWER        | BNDY |  |
| .0=        |      | CHECK         | J08  |  |
| .00=       |      | APP'D         | ALAN |  |
| .000=      |      | PRODUCT SPEC. | NAME |  |
| ANG.=±3'   |      | —             |      | HDMI CONNECTOR<br>A TYPE, DIP TYPE<br>W/FLANGE |
|            |      | DRAW NO.      |      | 365FA19-1N606T-R                               |
| UNITS : mm |      |               |      |  |
| SCALE      | SIZE | SHEET         | REV. | 08031  |
| NONE       | A4   | 2 OF 2        | B    |  |

**Astron**  
WWW.ASTRON.COM.TW