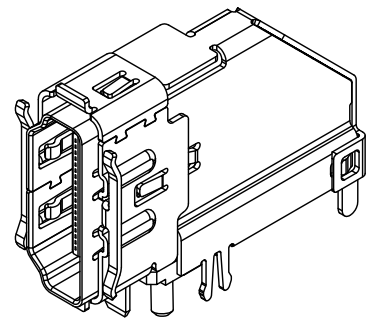
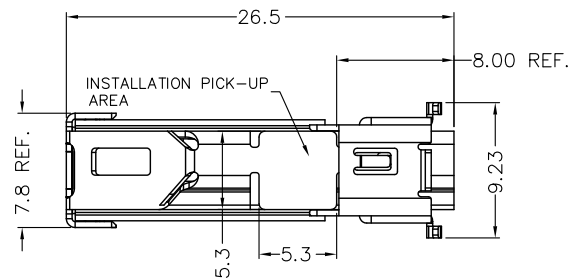


REV.	DESCRIPTION	DATE
A	N15'10021	Oct 30, 2015



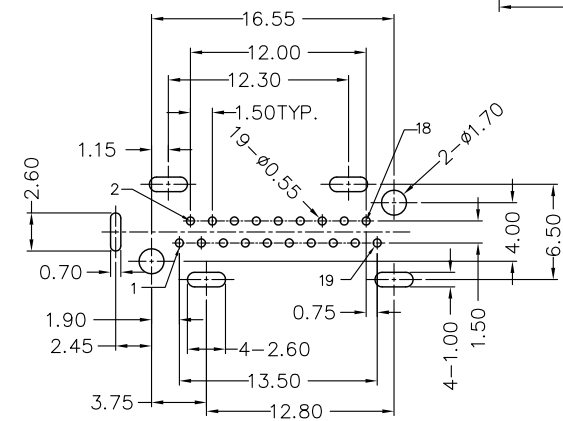
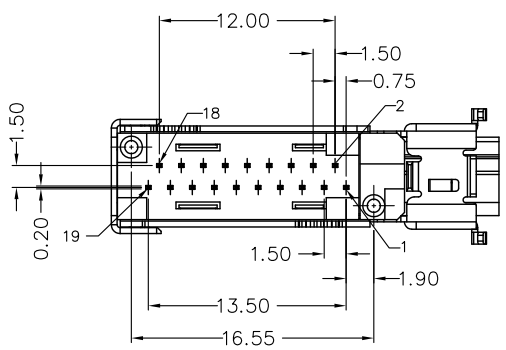
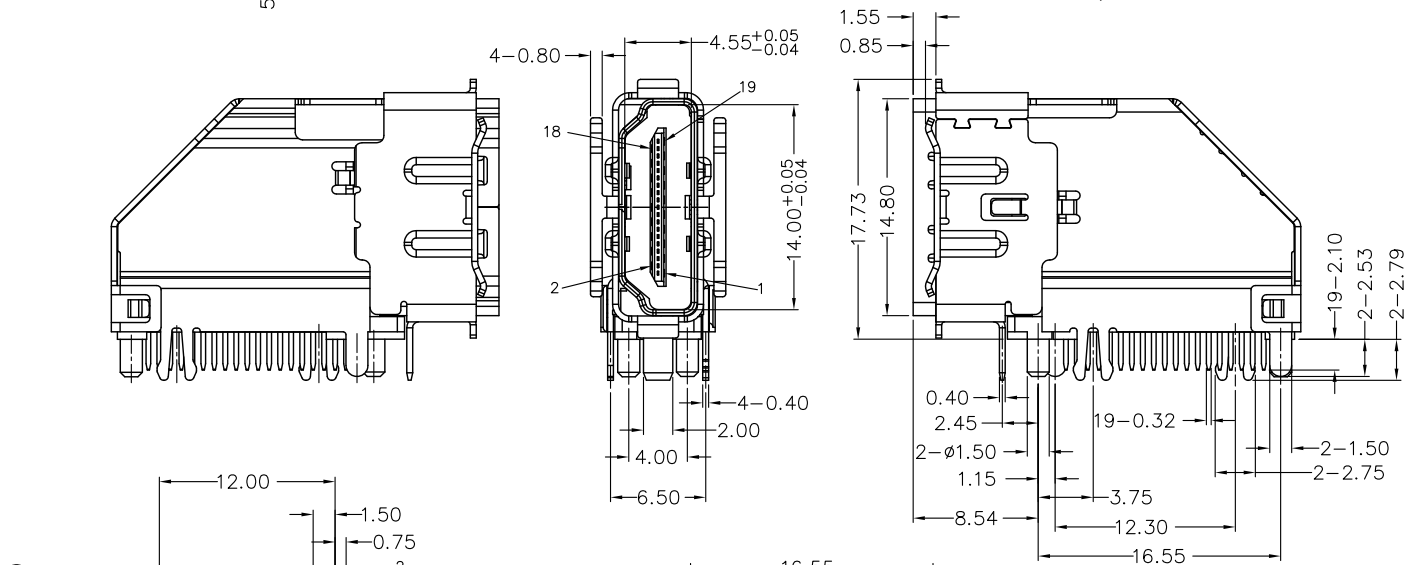
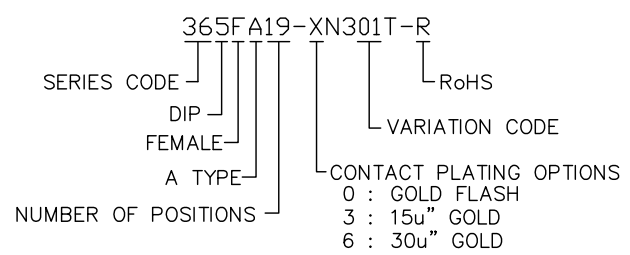
MATERIALS

- HOUSING : L.C.P (UL 94V-0), BLACK.
- TERMINAL : BRASS, (t=0.20mm)
GOLD PLATED ON CONTACT AREA,
TIN PLATED ON SOLDER TAIL,
UNDER NICKEL PLATED OVER ALL.
- SHELL : STAINLESS STEEL, (t=0.40mm), NICKEL PLATING.
- COVER : BRASS, (t=0.40mm), NICKEL PLATING.

SPECIFICATION

- CURRENT RATING : 0.5 A MAX.
- DIELECTRIC WITHSTANDING VOLTAGE :
500V AC R.M.S. FOR ONE MINUTE.
- CONTACT RESISTANCE : 30mΩ MAX.
- INSULATION RESISTANCE :
100 MΩ MIN. AT 500V DC.
- OPERATING TEMPERATURE : -25°C TO +85°C.

PART NUMBER INFORMATION



RECOMMEND P.C.B LAYOUT
TOP VIEW

TOLERANCE		DRAWER		 WWW.ASTRON.COM.TW
.0=±0.30		JMY		
.00=±0.20		CHECK		
.000=±.XXX		ERF		
.0000=±.		APP'D		NAME
ANG.=±3°		ERF		HDMI CONNECTOR A TYPE, UPRIGHT TYPE W/SPRING
 UNITS : mm		PRODUCT SPEC.		DRAW NO.
SCALE NONE		SIZE A4		365FA19-XN301T-R
SHEET 1 OF 1		REV. A		08031