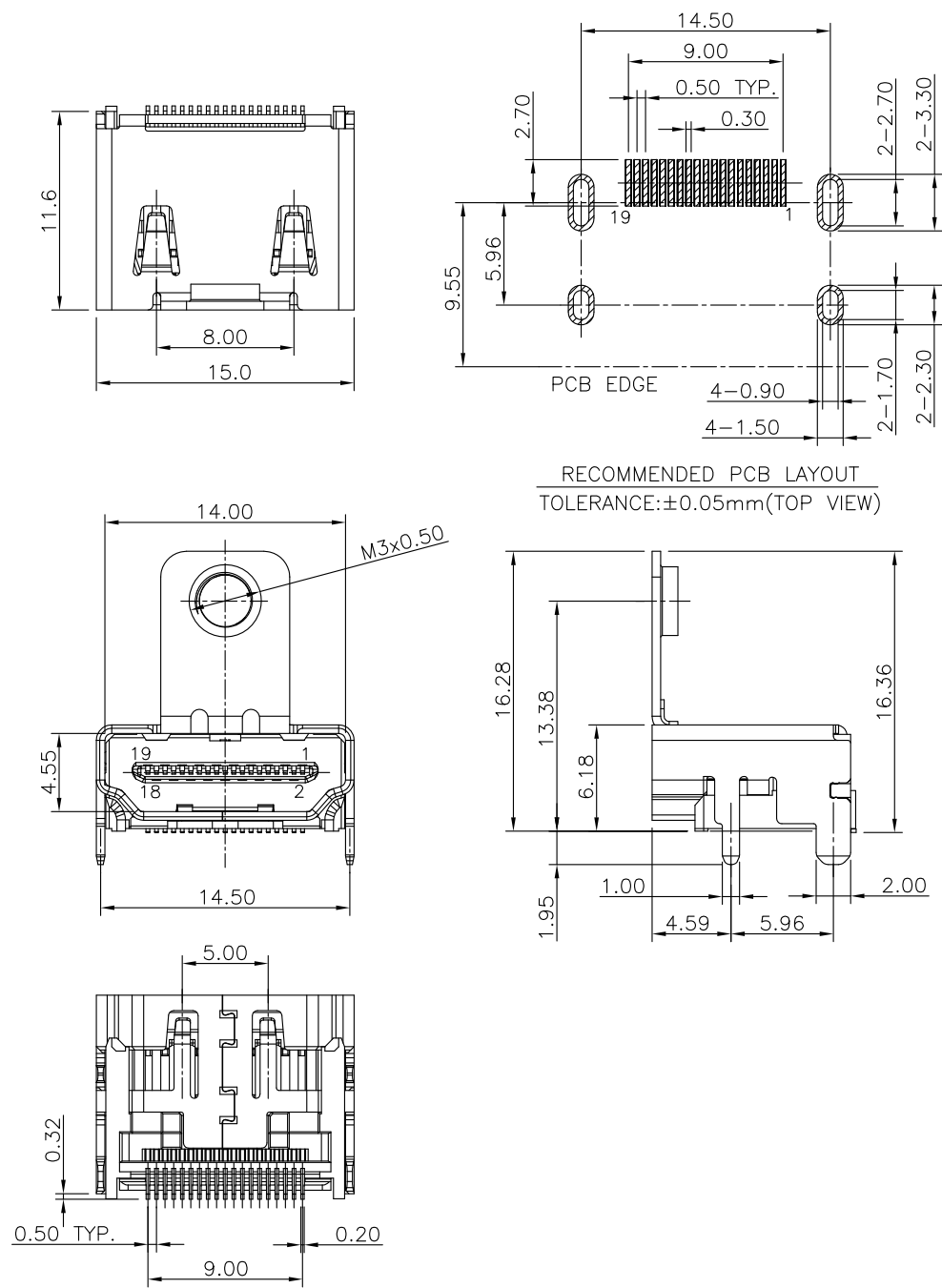


HDMI TYPE-A PIN ASSIGNMENT	
PIN No.	SIGNAL ASSIGNMENT
1	TMDS Data2+
2	TMDS Data2 Shield
3	TMDS Data2-
4	TMDS Data1+
5	TMDS Data1 Shield
6	TMDS Data1-
7	TMDS Data0+
8	TMDS Data0 Shield
9	TMDS Data0-
10	TMDS Clock+
11	TMDS Clock Shield
12	TMDS Clock-
13	CEC
14	Reserved(N.C. on device)
15	SCL
16	SDA
17	DDC/CEC Ground
18	+5V Power
19	Hot Plug Detect

REV.	DESCRIPTION	DATE
A	RELEASE	Oct. 25, 2019



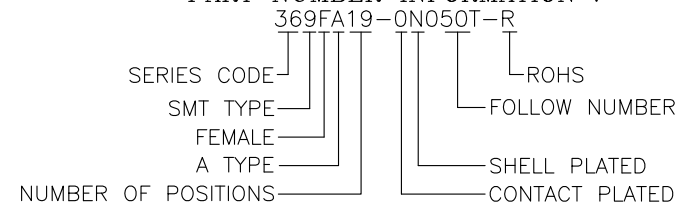
MATERIALS

1. HOUSING : LCP (UL 94V-0), BLACK.
2. CONTACT : COPPER ALLOY, GOLD FLASH PLATED ON CONTACT AREA, TIN PLATING ON SOLDER TAIL.
3. SHELL : SPCC, NICKEL PLATING.

SPECIFICATION

1. CURRENT RATING : 0.5 AMP MAX.
2. DIELECTRIC WITHSTANDING VOLTAGE : 500V AC R.M.S.
3. CONTACT RESISTANCE: 30mΩ MAX.
4. INSULATION RESISTANCE : 100MΩ MIN, AT 500V DC.
5. OPERATING TEMPERATURE : -40°C TO +85°C.

PART NUMBER INFORMATION :



GENERAL TOLERANCE	DRAWER	 ASTRON TECHNOLOGY CORP.
DIM. 0. = ±0.40	CHECK	
.0 = ±0.30	APP'D	
.00 = ±0.20	PRODUCT SPEC.	
.000 = ±0.10		NAME
ANG. .0° = ±3°		HDMI CONNECTOR 19PIN
.00° = ±1°		A TYPE , SMT FEMAIL
3rd ANGLE PROJECTION		WITH FLANGE
UNITS : mm	CONFIDENTIAL	PART NO. 369FA19-0N050T-R
SCALE NONE	SIZE A4	SHEET 1 OF 1
		REV. A
		03011
		C NO.