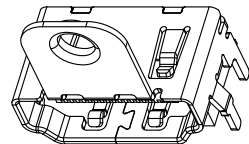
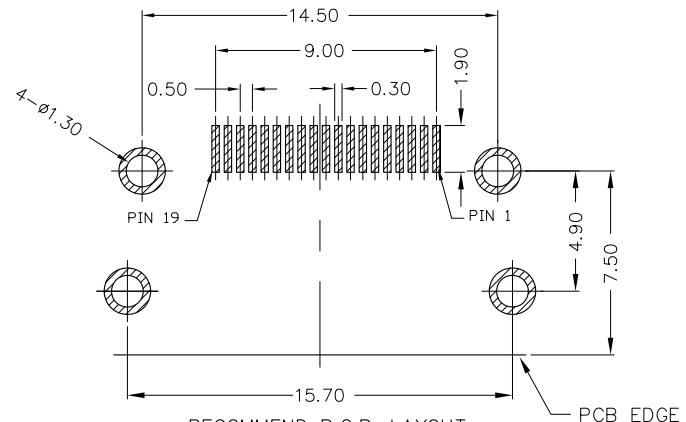
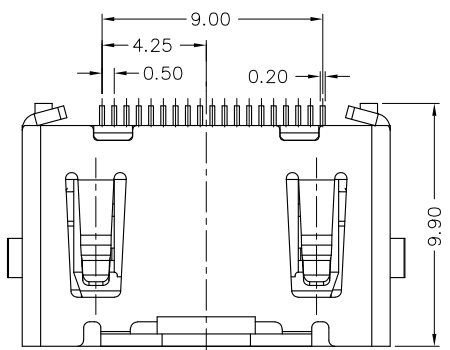


REV.	DESCRIPTION	DATE
A	RELEASE	May. 24, 2013
B	P/N MODIFY	Dec. 13, 2013



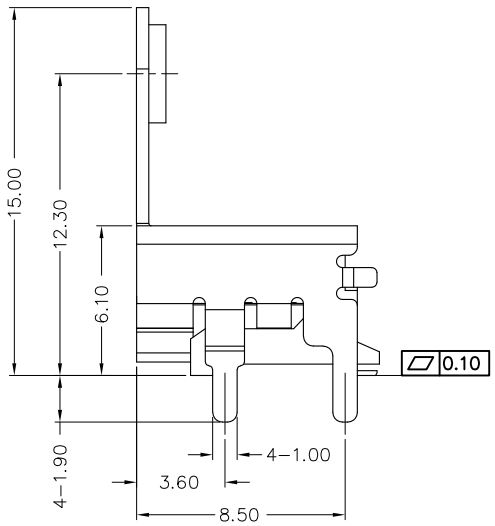
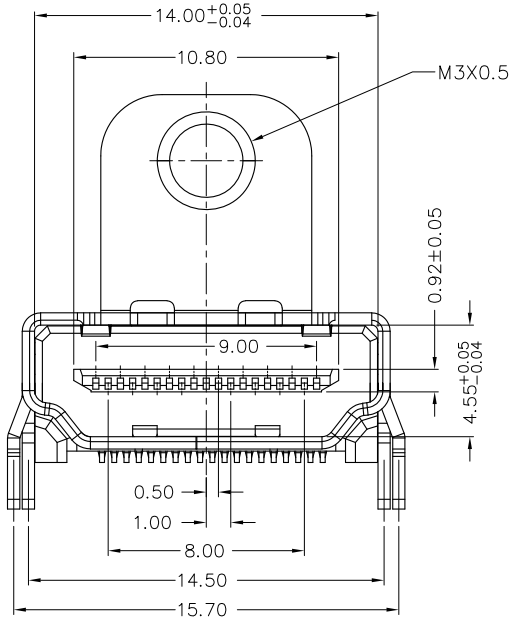
MATERIALS

1. HOUSING : L.C.P (UL 94V-0), BLACK
2. TERMINAL : BRASS,
GOLD PLATED ON CONTACT AREA,
TIN PLATED ON SOLDER TAIL,
UNDER NICKEL PLATED OVER ALL.
3. SHELL : STAINLESS STEEL, NICKEL PLATING.

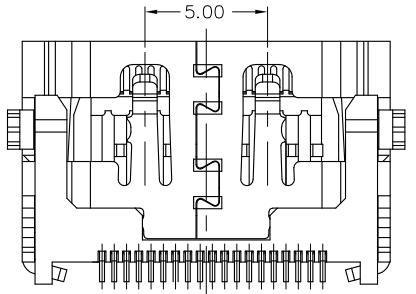
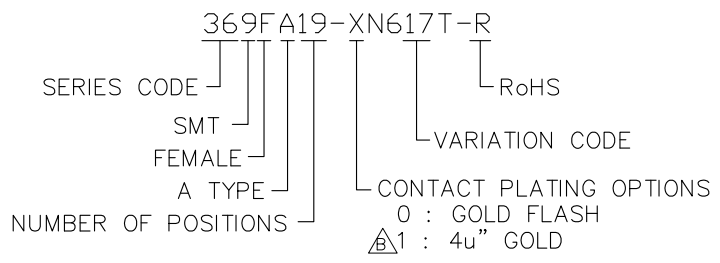
SPECIFICATION

1. CURRENT RATING : 0.5 A MIN.
2. VOLTAGE RATING : 40V AC
3. DIELECTRIC WITHSTANDING VOLTAGE :
500V AC R.M.S. FOR ONE MINUTE.
4. INSULATION RESISTANCE : 100M OHMS MIN.
AT 500V DC.
5. CONTACT RESISTANCE : 30m OHMS MAX.
6. OPERATING TEMPERATURE : -25°C TO +85°C.
7. DURABILITY : 10000 CYCLES.
8. MATING FORCE : 4.5kgf MAX.
9. UNMATING FORCE : 1.0~4.0kgf

RECOMMEND P.C.B. LAYOUT
TOLERANCE±0.05 (TOP VIEW)



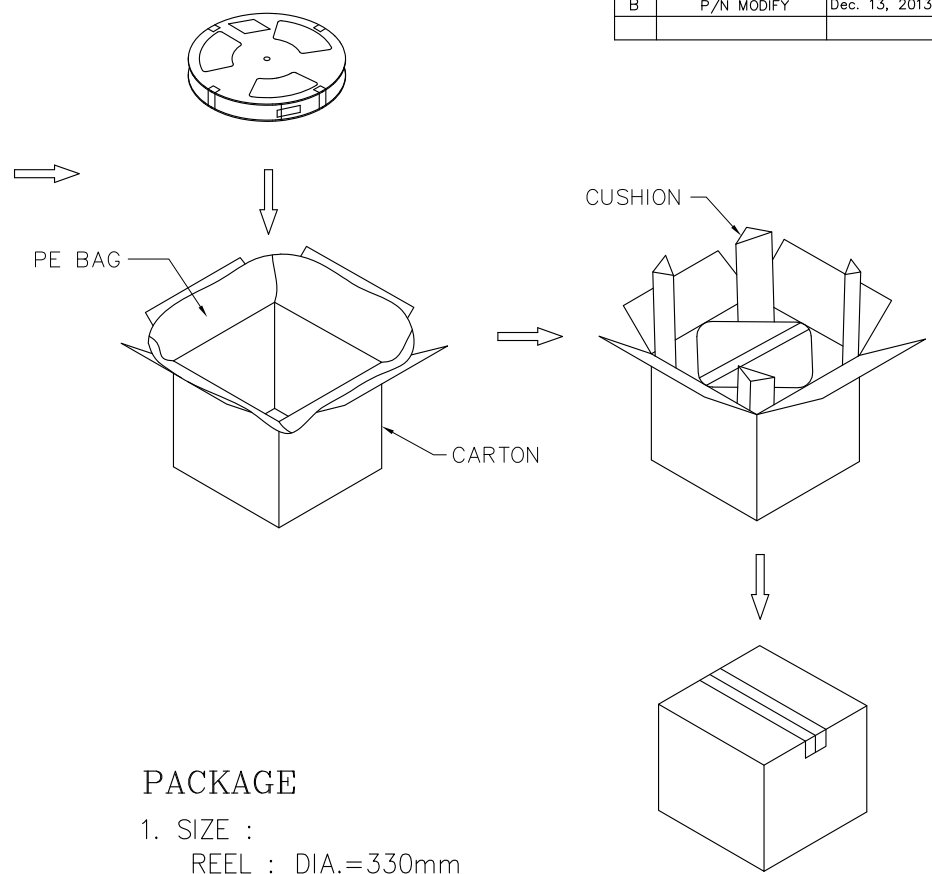
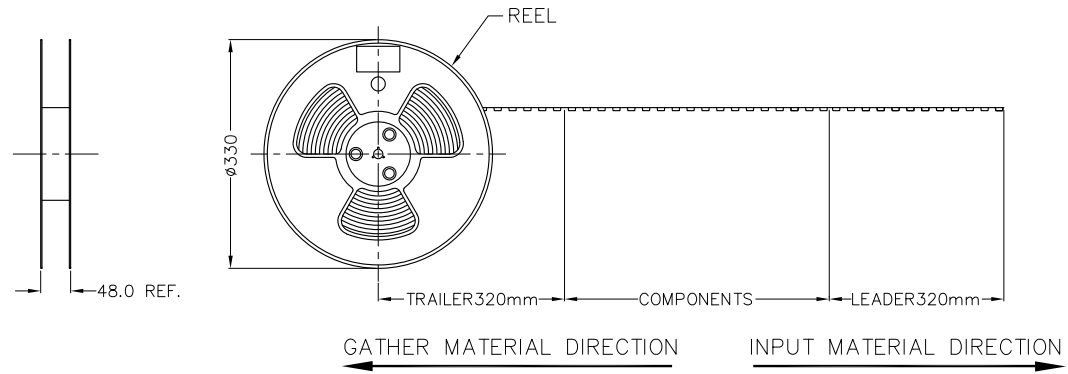
PART NUMBER INFORMATION



TOLERANCE .0=±0.38 .00=±0.25 .000=±.XXX .0000=±. ANG.=±3°		DRAWER <i>JANPE</i>		NAME HDMI CONNECTOR A TYPE, SMT TYPE W/FLANGE
UNITS : mm		CHECK <i>JNY</i>		
SCALE NONE		APP'D <i>ERPE</i>		DRAW NO. 369FA19-XN617T-R
SIZE A4		PRODUCT SPEC. —		
SHEET 1 OF 2		REV. B		D16011-C

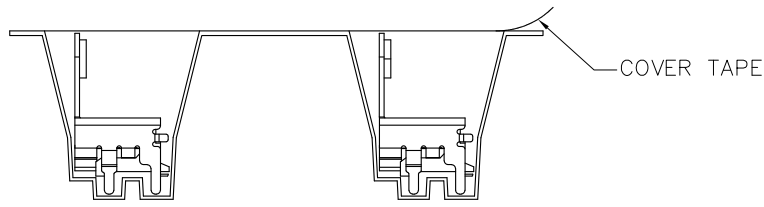
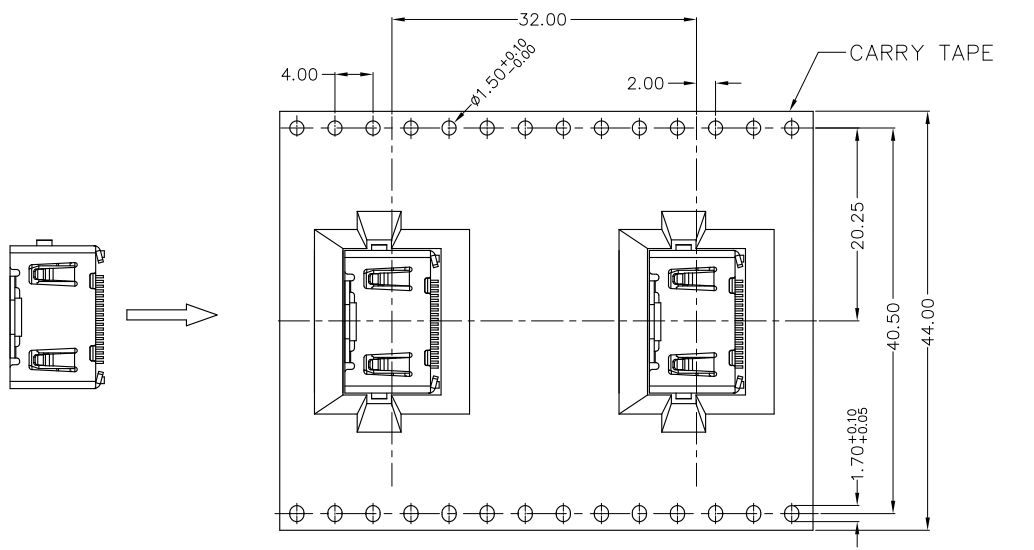
Astron
WWW.ASTRON.COM.TW

REV.	DESCRIPTION	DATE
A	RELEASE	May. 24, 2013
B	P/N MODIFY	Dec. 13, 2013



PACKAGE

- SIZE :
 REEL : DIA.=330mm
 CORTON : 350x350x380mm (LxWxH)
- QUANTITY :
 110 PCS/REEL
 7 REEL/CARTON = 770PCS



TOLERANCE .0=±. .00=±. .000=±. .0000=±. ANG.=±3°	DRAWER <i>JANFB</i>	 WWW.ASTRON.COM.TW
	CHECK <i>JNY</i>	
 UNITS : mm	APP'D <i>ERFB</i>	DRAW NO. 369FA19-XN617T-R
	PRODUCT SPEC. _____	REV. B
SCALE NONE	SIZE A4	SHEET 2 OF 2