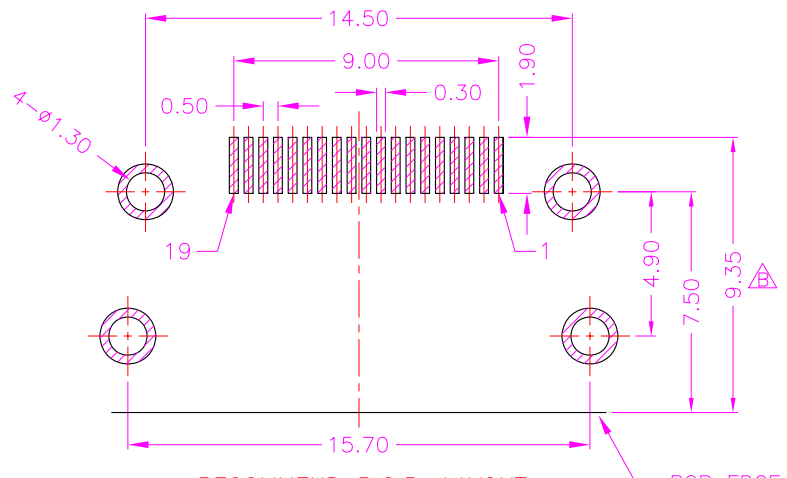
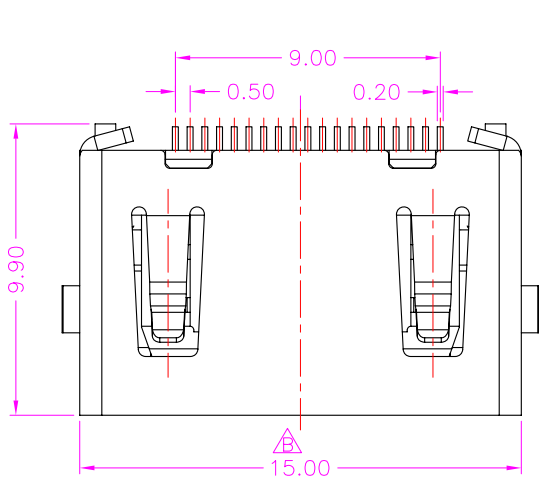
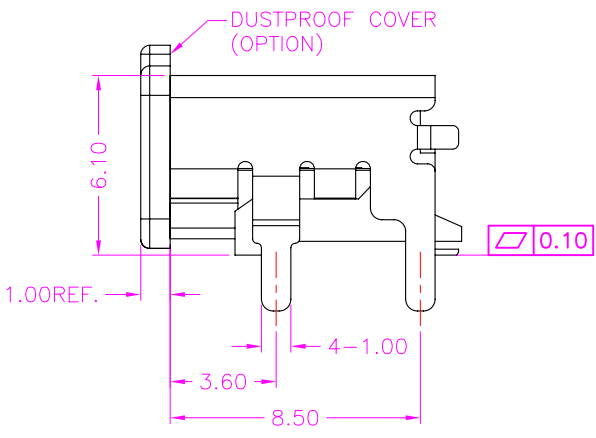
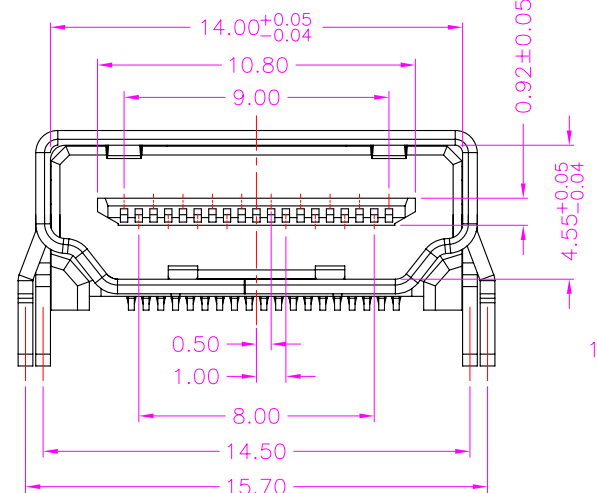


REV.	DESCRIPTION	DATE
A	RELEASE	May. 24, 2013
B	ADD. MODIFY	Sep. 03, 2013



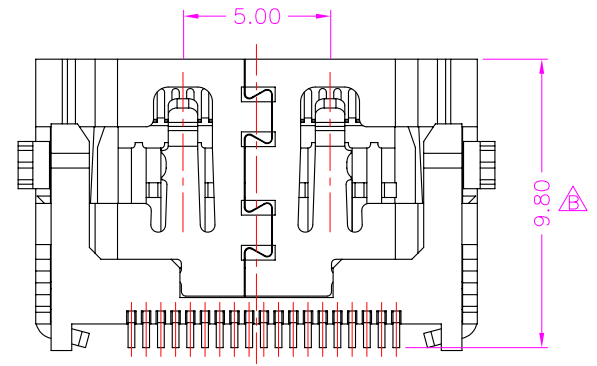
RECOMMEND P.C.B. LAYOUT
TOP VIEW

PCB EDGE



DUSTPROOF COVER
(OPTION)

0.10



MATERIALS

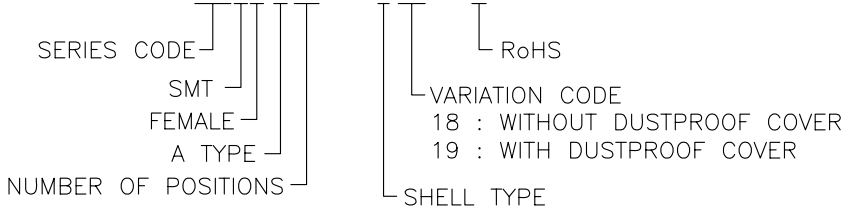
1. HOUSING : L.C.P (UL 94V-0), BLACK
2. TERMINAL : BRASS, GOLD FLASH ON CONTACT AREA, TIN PLATED ON SOLDER TAIL, UNDER NICKEL PLATED OVER ALL.
3. SHELL : STAINLESS STEEL, NICKEL PLATING.

SPECIFICATION

1. CURRENT RATING : 0.5 A MIN.
2. VOLTAGE RATING : 40V AC
3. DIELECTRIC WITHSTANDING VOLTAGE : 500V AC R.M.S. FOR ONE MINUTE.
4. INSULATION RESISTANCE : 100M OHMS MIN. AT 500V DC.
5. CONTACT RESISTANCE : 30m OHMS MAX.
6. OPERATING TEMPERATURE : -25°C TO +85°C.
7. DURABILITY : 10000 CYCLES.
8. MATING FORCE : 4.5kgf MAX.
9. UNMATING FORCE : 1.0~4.0kgf

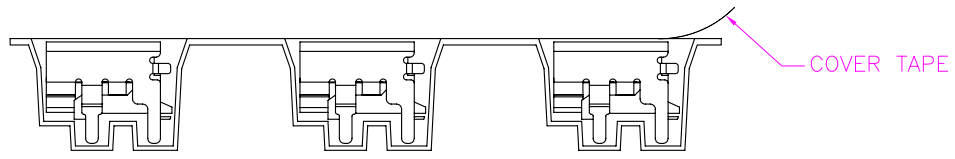
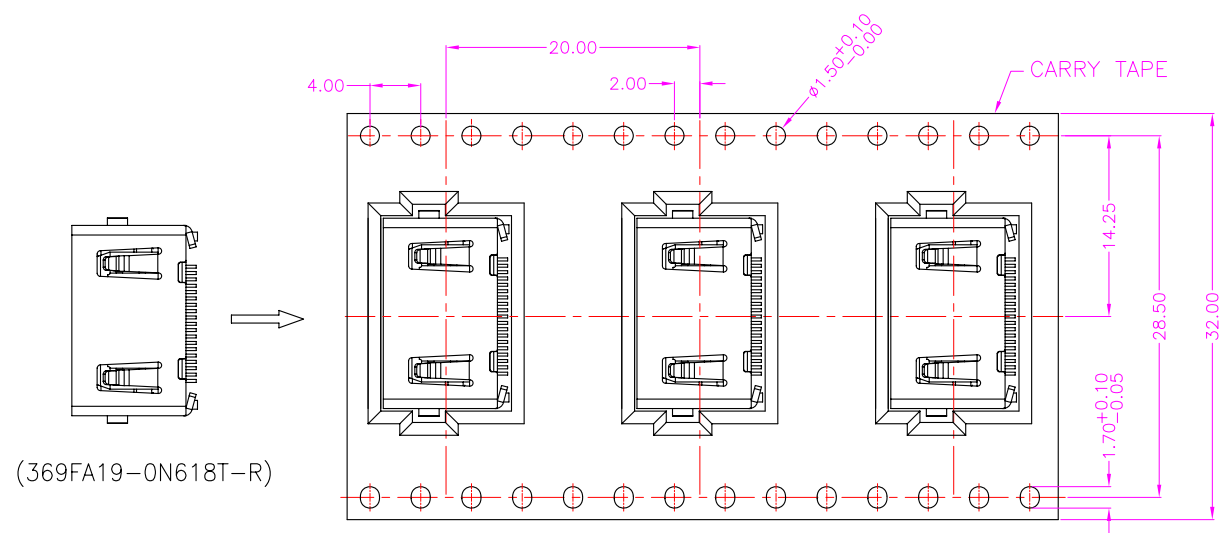
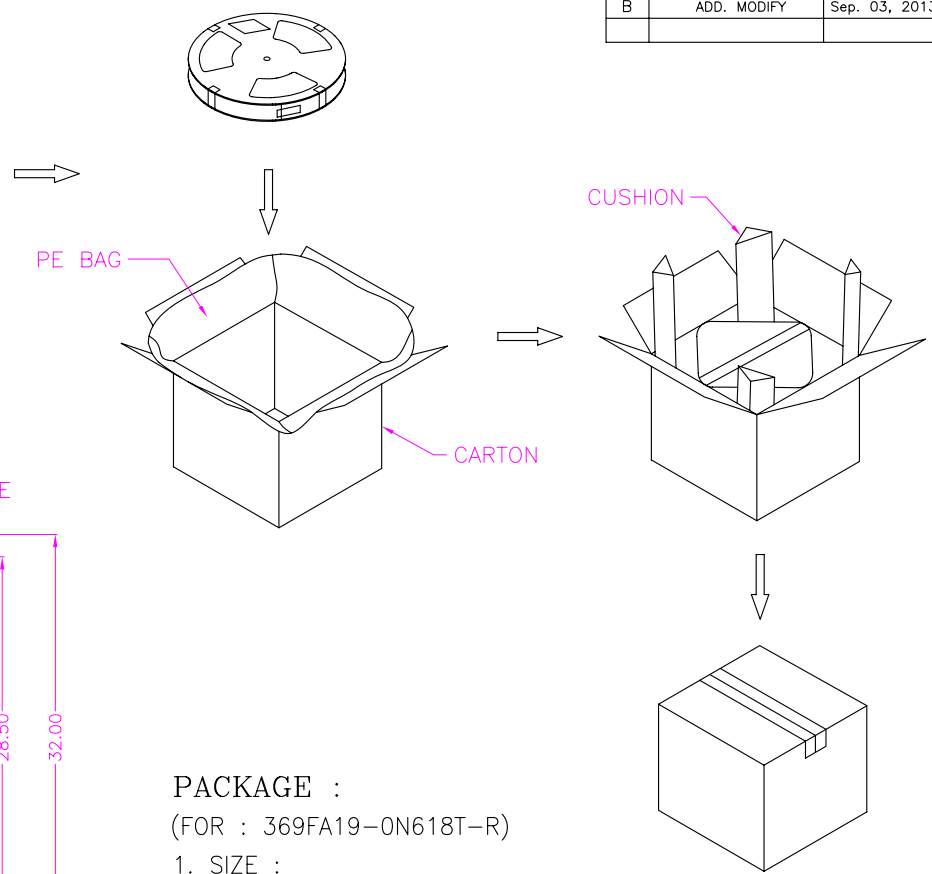
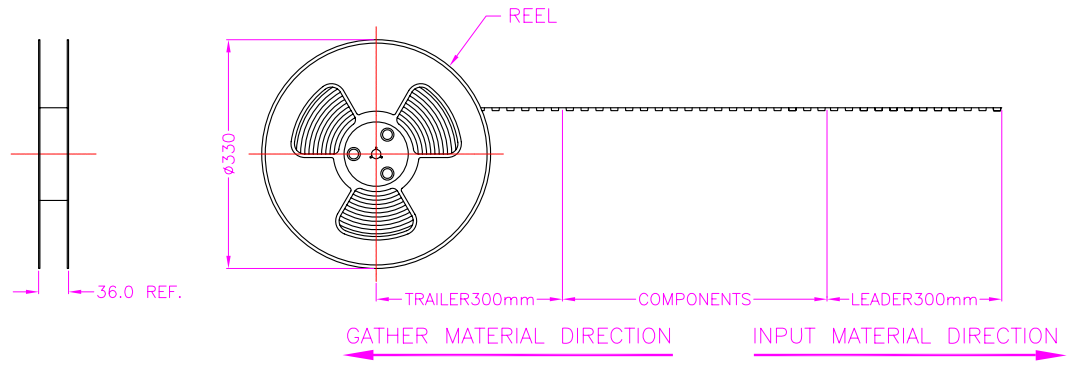
PART NUMBER INFORMATION

369FA19-0N6XXT-R



TOLERANCE .0=±0.38 .00=±0.25 .000=±.XXX .0000=±. ANG.=±3°		DRAWER <i>JMY</i>		 WWW.ASTRON.COM.TW
UNITS : mm		CHECK <i>JANPE</i>		
SCALE NONE		APP'D <i>ERP</i>		NAME HDMI CONNECTOR A TYPE, SMT TYPE
SIZE A4		PRODUCT SPEC. —		DRAW NO. 369FA19-0N6XXT-R
SHEET 1 OF 3		REV. B		T0105

REV.	DESCRIPTION	DATE
A	RELEASE	May. 24, 2013
B	ADD. MODIFY	Sep. 03, 2013



PACKAGE :

(FOR : 369FA19-0N618T-R)

1. SIZE :

REEL : DIA.=330mm

CORTON : 350x350x380mm (LxWxH)

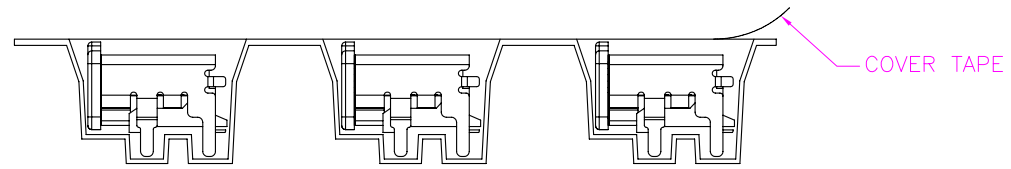
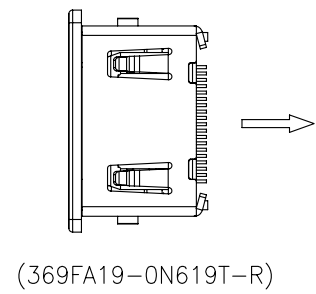
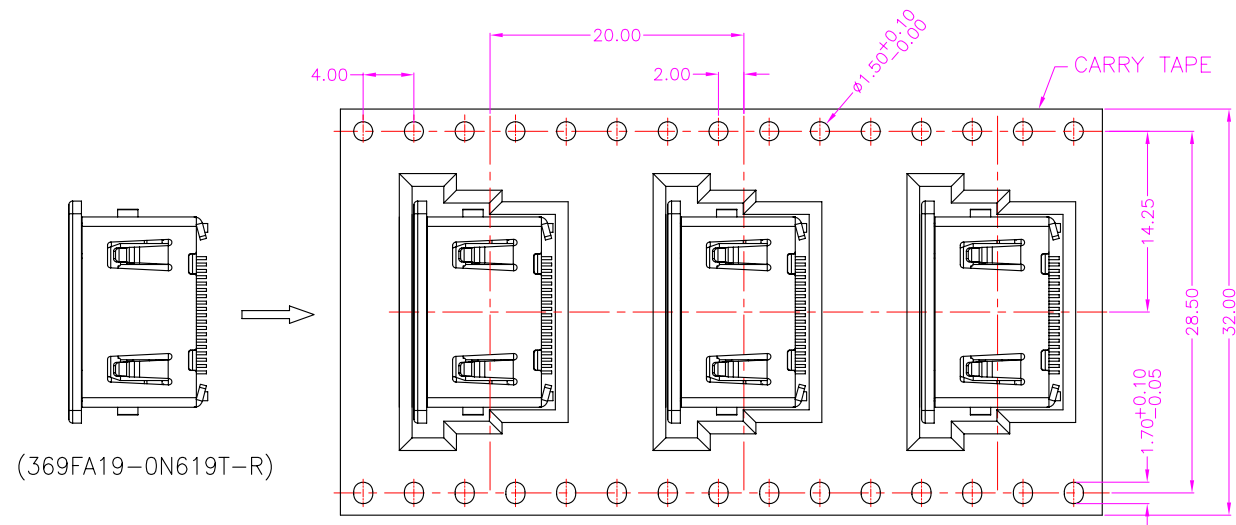
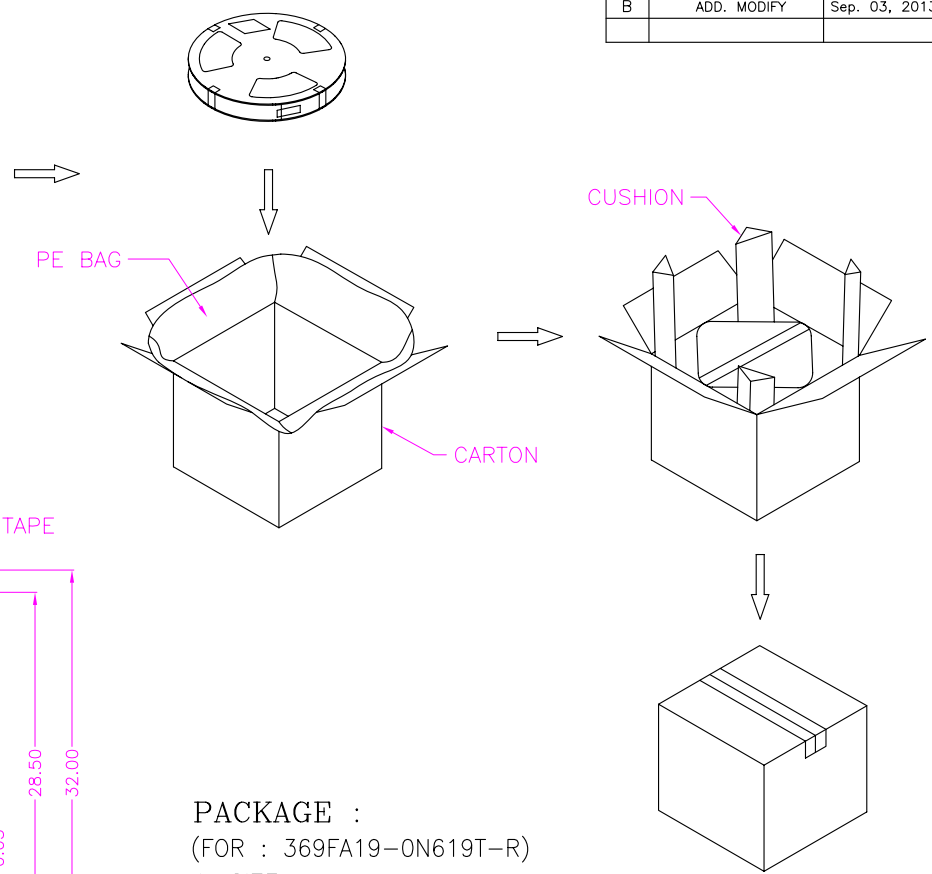
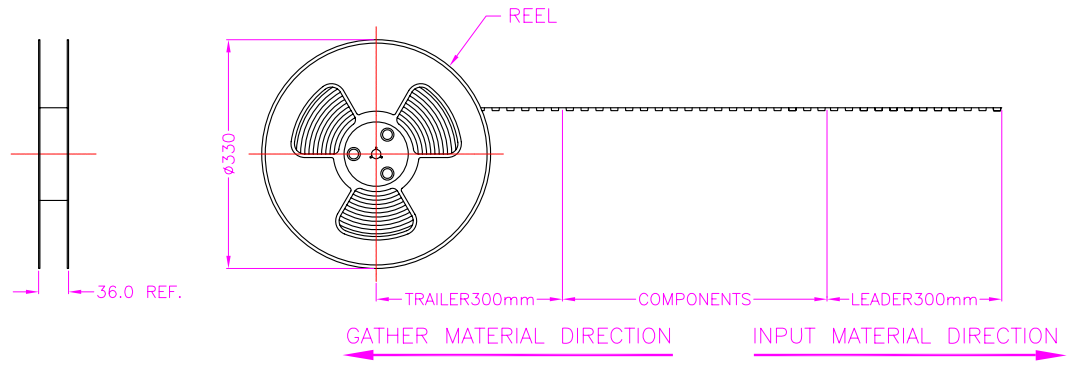
2. QUANTITY :

380 PCS/REEL

10 REEL/CARTON = 3800PCS

TOLERANCE .0=±. .00=±. .000=±. .0000=±. ANG.=±3°		DRAWER <i>JMY</i> CHECK <i>JANPE</i> APP'D <i>ERP</i>	Astron WWW.ASTRON.COM.TW NAME HDMI CONNECTOR A TYPE, SMT TYPE
UNITS : mm		PRODUCT SPEC. _____	
SCALE NONE	SIZE A4	SHEET 2 OF 3	REV. B
DRAW NO. 369FA19-0N6XXT-R			T0105

REV.	DESCRIPTION	DATE
A	RELEASE	May. 24, 2013
B	ADD. MODIFY	Sep. 03, 2013



PACKAGE :
 (FOR : 369FA19-0N619T-R)

- SIZE :
 REEL : DIA.=330mm
 CORTON : 350x350x380mm (LxWxH)
- QUANTITY :
 320 PCS/REEL
 10 REEL/CARTON = 3200PCS

TOLERANCE .0=±. .00=±. .000=±. .0000=±. ANG.=±3°		DRAWER <i>JMY</i> CHECK <i>JANPE</i> APP'D <i>ERP</i>	Astron WWW.ASTRON.COM.TW NAME HDMI CONNECTOR A TYPE, SMT TYPE
UNITS : mm		PRODUCT SPEC. _____	
SCALE NONE	SIZE A4	SHEET 3 OF 3	REV. B
DRAW NO. 369FA19-0N6XXT-R			T0105