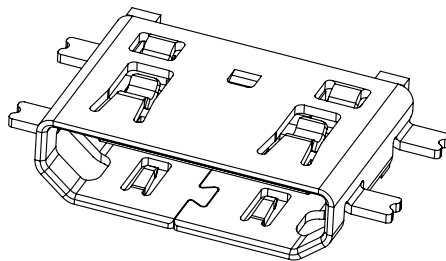
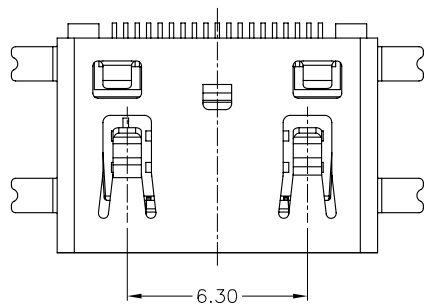
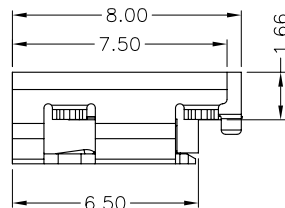
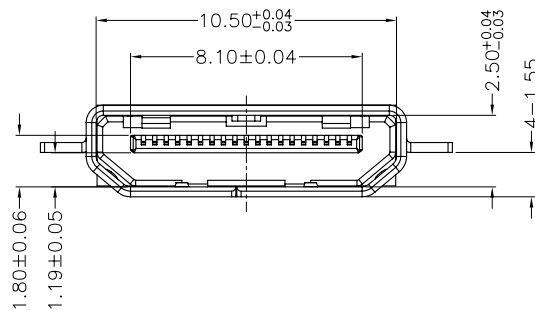


REV.	DESCRIPTION	DATE
1	PROPOSAL	Oct. 11, 2012
2	ADD. PACKAGE	Apr. 08, 2013

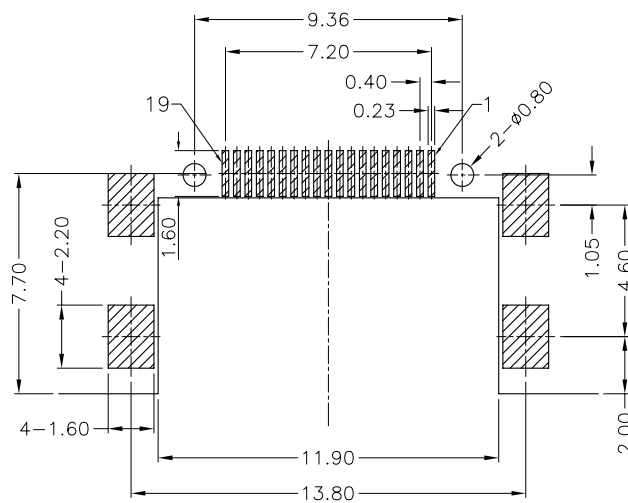
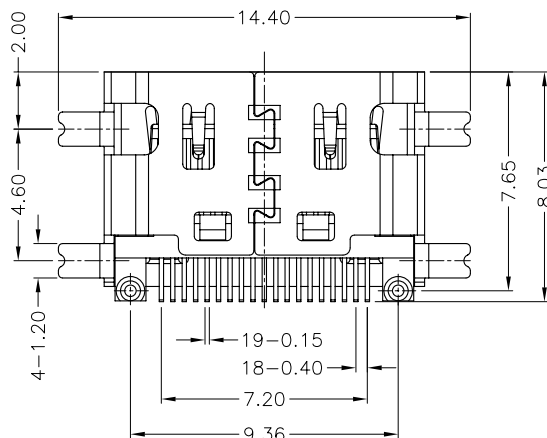
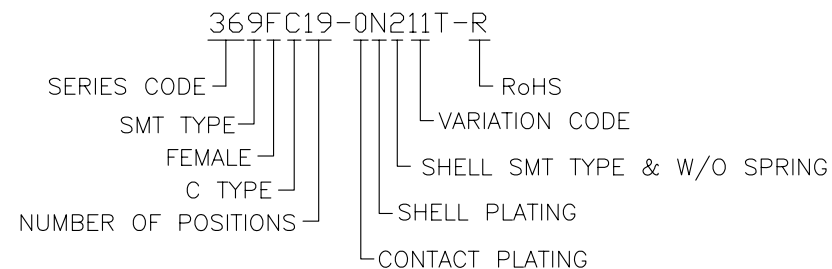


MATERIALS

- HOUSING : HI-TEMP. PLASTIC (UL 94V-0), BLACK.
- TERMINAL : COPPER ALLOY,
GOLD FLASH ON CONTACT,
TIN PLATING ON SOLDER TAIL.
- SHELL : COPPER ALLOY, NICKEL PLATING.



PART NUMBER INFORMATION

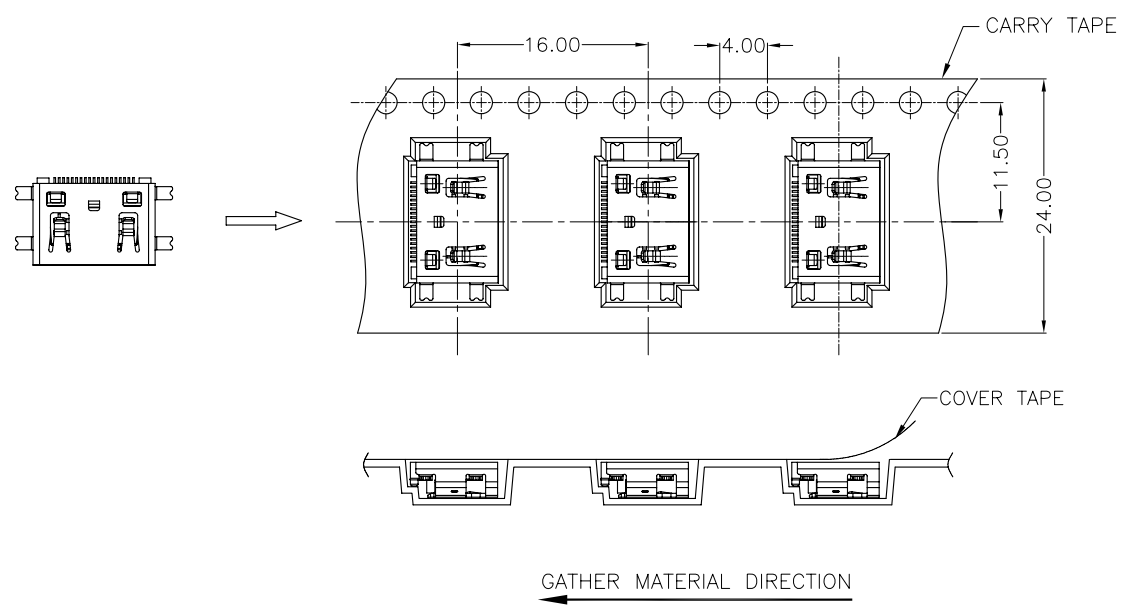
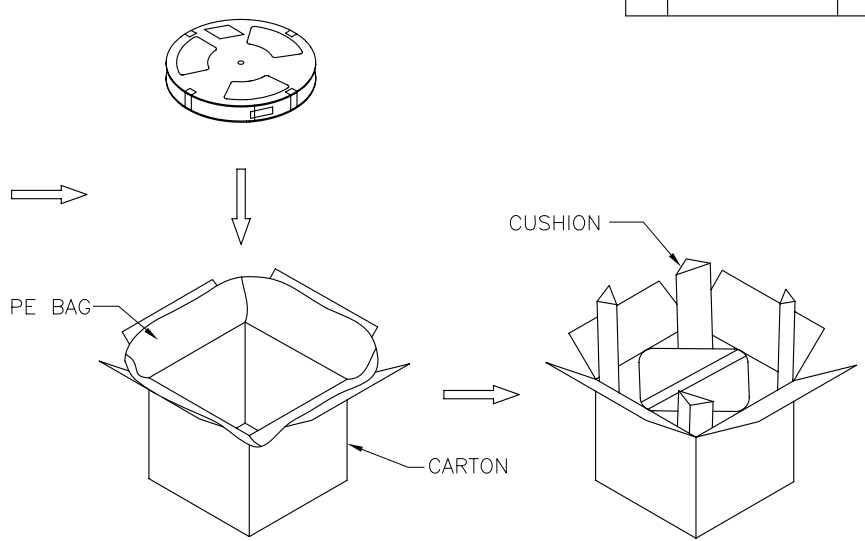
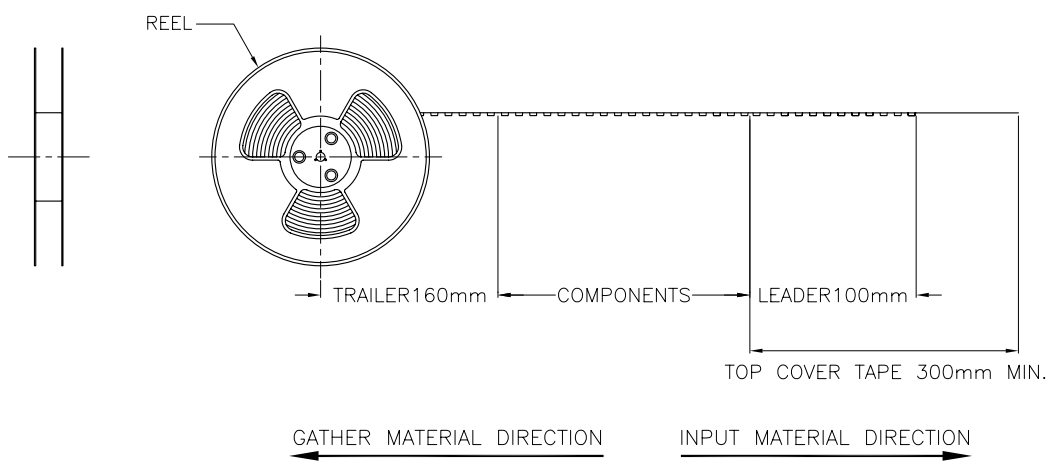


RECOMMEND P.C.B. LAYOUT
TOP VIEW

TOLERANCE		DRAWER		 WWW.ASTRON.COM.TW
.0=±0.38 .00=±0.25 .000=±.XXX .0000=±. ANG.=±3°		JING		
		CHECK		NAME MINI HDMI CONNECTOR BOARD CUTTING TYPE
		JANPEE		
		APP'D		DRAW NO. 369FC19-0N211T-R
		ERJC		
 UNITS : mm		PRODUCT SPEC.		SHEET 1 OF 2
SCALE NONE SIZE A4		REV. 2		

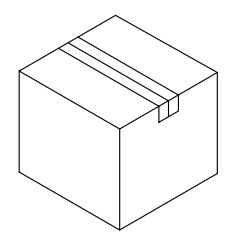
REV.	DESCRIPTION	DATE
1	PROPOSAL	Oct. 11, 2012
2	ADD. PACKAGE	Apr. 08, 2013

F
E
D
C
B
A



PACKAGE

1. SIZE :
 REEL : DIA.=330mm, W=24mm
 CORTON : 350x350x165mm (LxWxH)
2. QUANTITY :
 1100 PCS/REEL
 5 REELs/CARTON : 5500PCS



TOLERANCE .0=±.XXX .00=±.XXX .000=±.XXX .0000=±. ANG.=±3°		DRAWER <i>JNG</i> CHECK <i>JANFB</i> APP'D <i>ERFB</i>	Astron WWW.ASTRON.COM.TW NAME MINI HDMI CONNECTOR BOARD CUTTING TYPE PACKAGE
UNITS : mm SCALE NONE SIZE A4 SHEET 2 OF 2 REV. 2		PRODUCT SPEC. DRAW NO. 369FC19-0N211T-R	
08031			

1 2 3 4 5 6 7 8