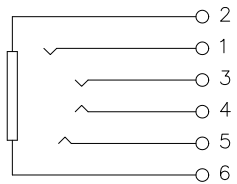
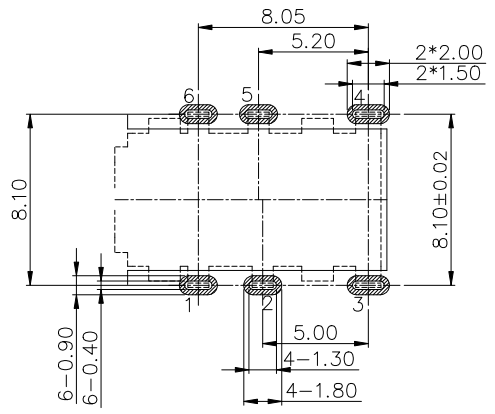
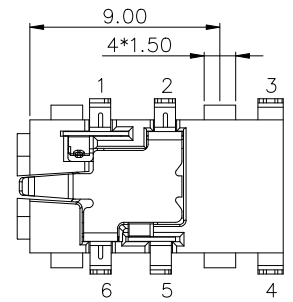
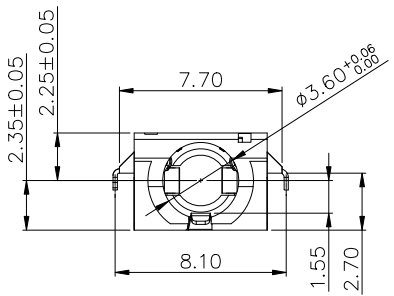
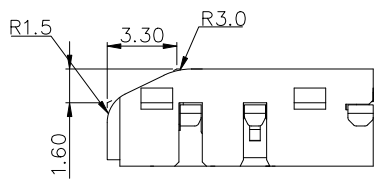
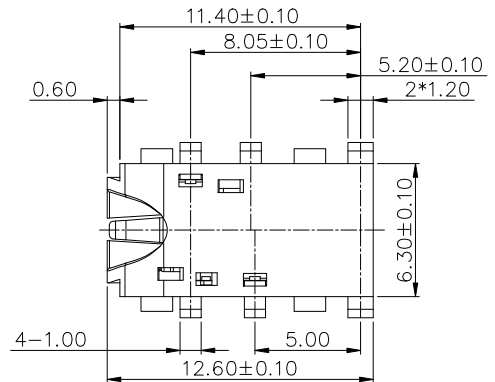


REV.	DESCRIPTION	DATE
A	N12'1107	11/02'12
B	N13'06031	06/17'13



CIRCUIT DIAGRAM



RECOMMEND PCB LAYOUT
TOLERANCE: ±0.05
TOP VIEW

MATERIALS

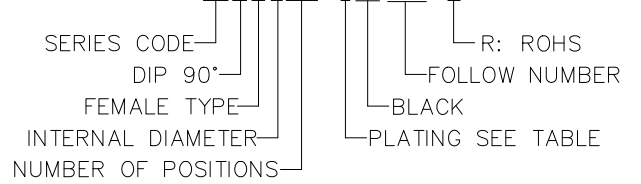
- HOUSING : LCP(UL 94V-0) BLACK.
- TERMINAL : C5191(1&2&5&6#TERMINAL)
PLATING : GOLD PLATED OVERALL
- TERMINAL : SUS 301 (3&4#TERMINAL)
PLATING : GOLD PLATED OVERALL

SPECIFICATION

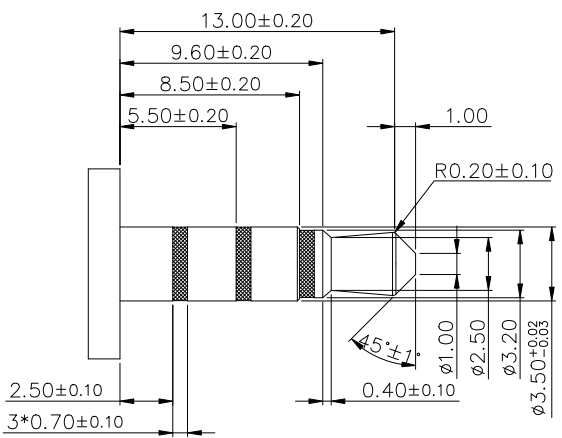
- INSERTION FORCE. 2 KG MAX.
- WITHDRAWAL FORCE: 0.8 KG MIN.
DURABILITY AFTER 0.4 KG MIN.
- CURRENT RATING : 1 A. MAX.
- DIELECTRIC WITHSTANDING VOLTAGE :
500V AC R.M.S. FOR 1 MINUTE.
- INSULATION RESISTANCE : 1000MΩ MIN.AT 500V DC.
- CONTACT RESISTANCE : 30mΩ MAX.
- OPERATING TEMPERATURE : -30°C TO +85°C.
- DURABILITY: 5000 CYCLES

PART NUMBER INFORMATION :

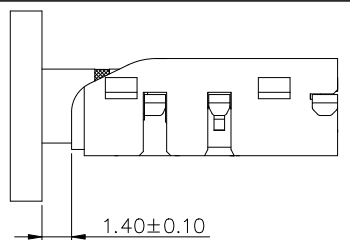
506F206-X0002A-R



PLATING ON TERMINALS	
NO.	EXPLAIN
0	GOLD FLASH
3	GOLD 5u''
6	GOLD 10u''



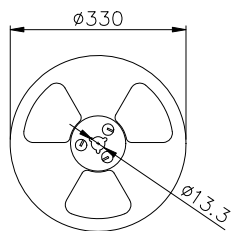
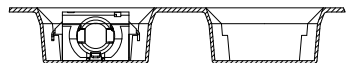
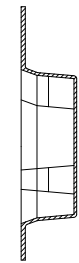
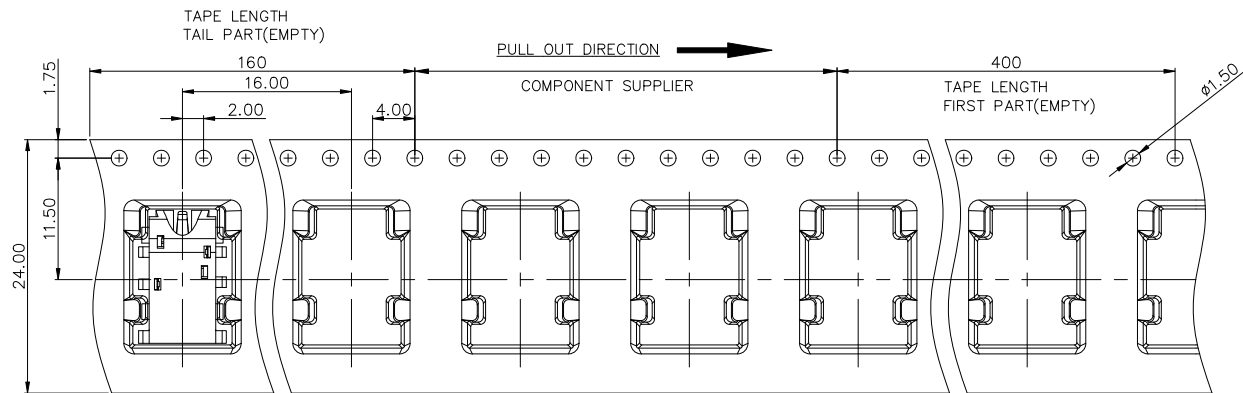
THE RECOMMENDED MATING PLUG



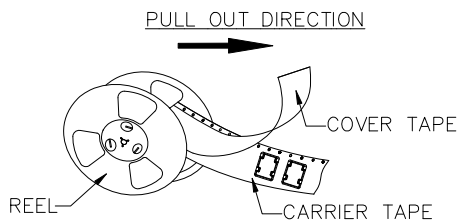
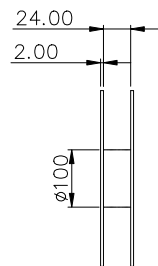
NORMAL GRP OF PLUG TO CONNECTOR

TOLERANCE .0=±0.25 .00=±0.15 .000=±0.05 ANG.=±3'	DRAWER Denny Hu 06/17'13	 ASTRON TECHNOLOGY CORP.
	CHECK slony 06/17'13	
UNITS : mm SCALE NONE SIZE A7	APP'D Astron 06/17'13	DRAW NO. R506F206-X0002A-R
	PRODUCT SPEC.	

REV.	DESCRIPTION	DATE
A	N12'1107	11/02'12
B	N13'06031	06/17'13



REEL FOR CARRIER TAPE



TAPE & REEL PACKAGE:

MATERIALS

- 1.CARRIER TAPE: PS
- 2.COVER TAPE: PET
- 3.REEL: PS

QUANTITY

- 1.800PCS PER REEL
- 2.10 REEL PER CARTON(8000PCS PER CARTON)

<p>TOLERANCE</p> <p>.0=±0.25</p> <p>.00=±0.15</p> <p>.000=±0.05</p> <p>ANG.=±3°</p>		<p>DRAWER</p> <p>Denny Wu06/17'13</p> <p>CHECK</p> <p>sleny 06/17'13</p> <p>APP'D</p> <p>brian 06/17'13</p>	<p>Astron</p> <p>ASTRON TECHNOLOGY CORP.</p>	
<p>UNITS : mm</p>		<p>PRODUCT SPEC.</p> <p>---</p>		<p>NAME</p> <p>PHONE JACK BREAK PLATE</p> <p>TYPE $\phi 3.5\text{mm}$ 沉板2.7mm</p>
<p>SCALE</p> <p>NONE</p>	<p>SIZE</p> <p>A7</p>	<p>SHEET</p> <p>2 OF 2</p>	<p>REV.</p> <p>B</p>	<p>DRAW NO.</p> <p>R506F206-X0002A-R</p>