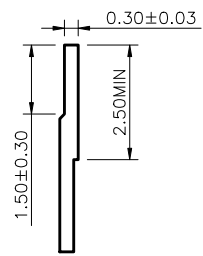
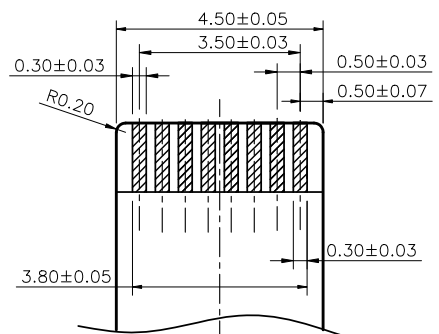
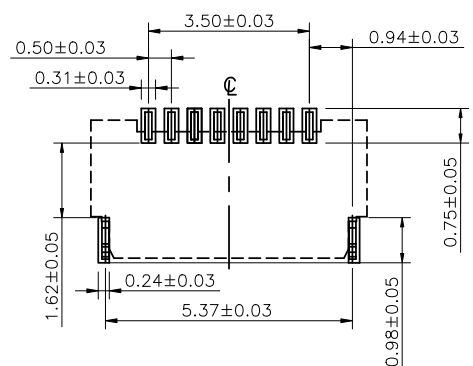
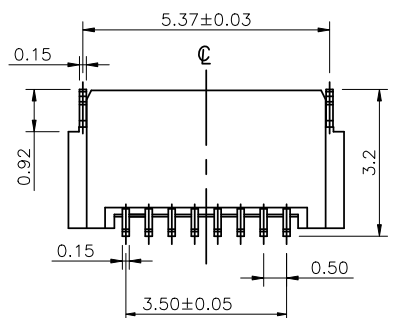
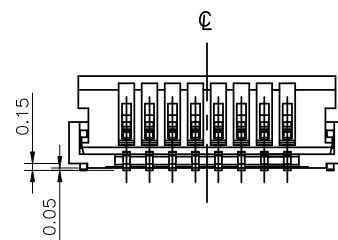
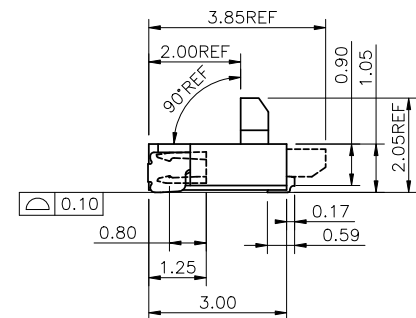
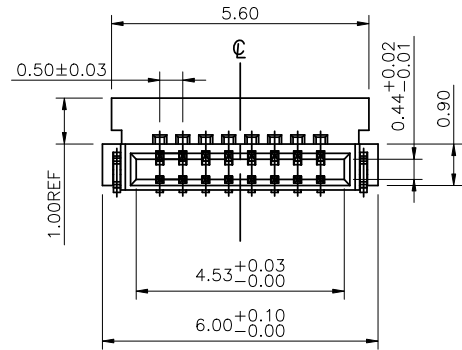
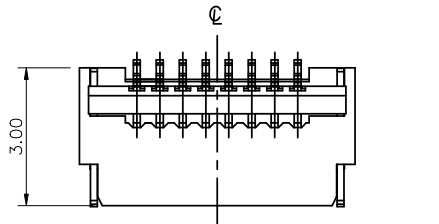


REV.	DESCRIPTION	DATE
A	PROPOSAL	Jun.24.2013



RECOMMEND PCB LAYOUT
TOLERANCE: ±0.05
TOP VIEW

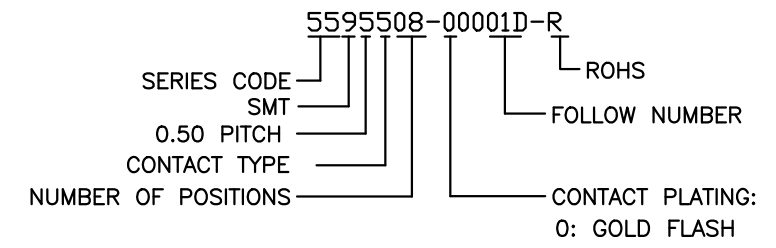
MATERIALS:

- 1. HOUSING: LCP (UL94V-0),BLACK
- 2. TERMINAL: C5210 ,T=0.15mm.
PLATING GOLD FLASH ON CONTACT AREA
PLATING GOLD FLASH ON SOLDER AREA
- 3. COVER: NYLON PA9T, BLACK COLOR
- 4. PAD: C2680R-H,T=0.15, TIN PLATING

SPECIFICATION

- 1. ELECTRICAL CHARACTERISTICS:
 - 1.1 VOLTAGE RATING:50V DC MAX
 - 1.2 CURRENT RATING: 0.5 AMPERE MAX PER CONTACT
 - 1.3 LOW LEVEL CONTACT RESISTANCE: 100 MILLIOHMS MAX
 - 1.4 INSULATION RESISTANCE: 30 MEGOHMS MIN
- 2. MECHANICAL CHARACTERISTICS:
 - 2.1 DURABILITY: 10 MATING /UNMATING CYCLES
- 3. ENVIRONMENTAL CHARACTERISTICS:
 - 3.1 OPERATING TEMPERATURE:-55° TO +85°
 - 3.2 STORAGE TEMPERATURE:-10° TO +50°
- 4.FPC BOARD
 - 4.1 THICKNESS: 0.3±0.03mm
 - 4.2 BOARD BARE TRACES SHOULD BE GIVEN GOLD PLATING

PART NUMBER INFORMATION:



TOLERANCE .0=±0.15 .00=±0.10 .000=±0.05 ANG.=±5°	DRAWER Lanbo	 ASTRON TECHNOLOGY CORP.
	CHECK	
 UNITS : mm	APP'D	FPC 0.5 PITCH H=1.0 CONN. (8 PIN)
	SCALE NONE	PRODUCT SPEC. —
SIZE A7	SHEET 1 OF 1	REV. A