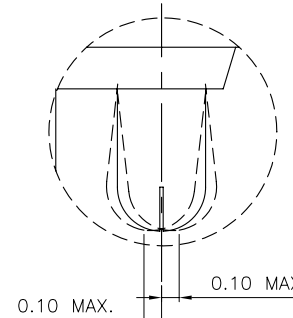
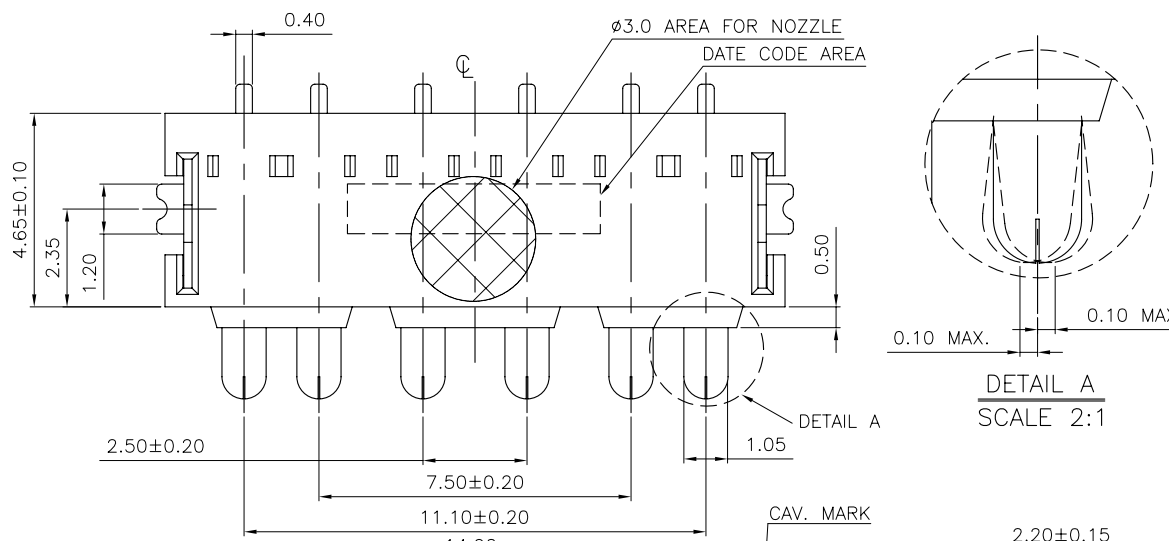
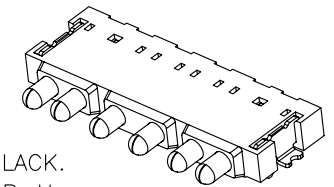
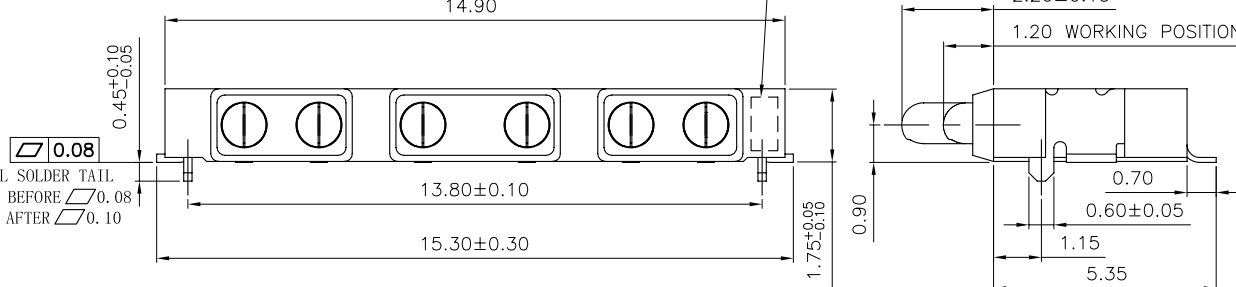


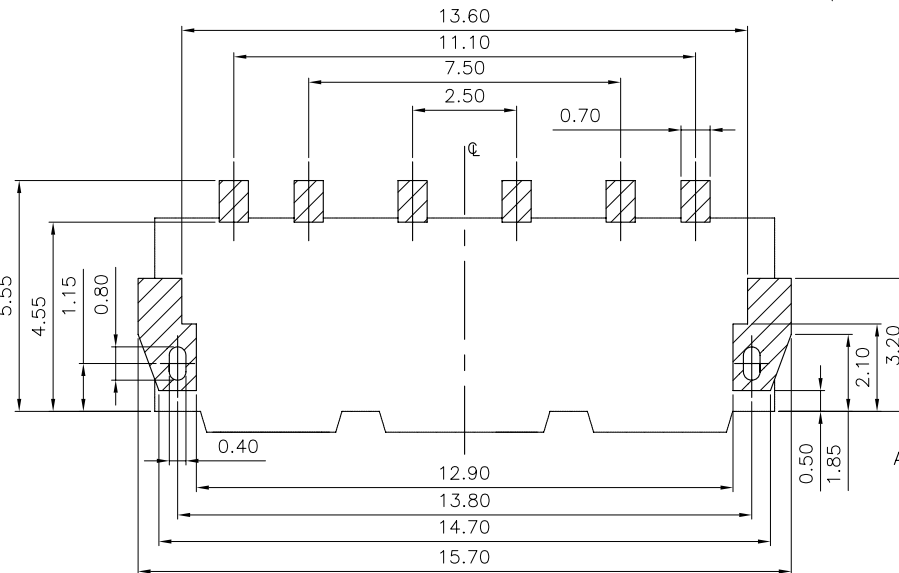
REV.	DESCRIPTION	DATE
A	RELEASE	Jul. 24, 2013



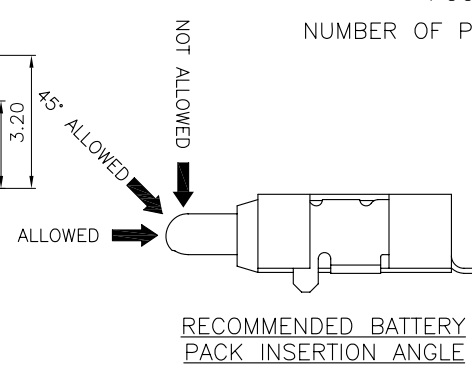
DETAIL A
SCALE 2:1



ALL SOLDER TAIL
IR BEFORE ∇ 0.08
IR AFTER ∇ 0.10



RECOMMEND P.C.B. LAYOUT
TOP VIEW



RECOMMENDED BATTERY
PACK INSERTION ANGLE

1. MATERIALS

- 1-1. HOUSING: PA4T (UL 94V-0), BLACK.
- 2-2. FRONT CONTACT: BRASS C2680R-H.
- 3-3. BACK CONTACT: PHOSPHOR BRONZE C5210R-SH.
- 4-4. HOLD DOWN: BRASS C2680R-H.
- 5-5. SPRING: SUS304.

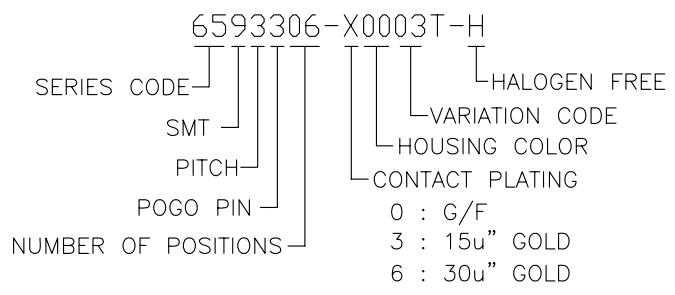
2. FINISH

- 2-1. FRONT CONTACT: GOLD PLATED ON CONTACT AREA NICKEL 50u" MIN. UNDER PLATED.
- 2-2. BACK CONTACT: GOLD 15u" PLATED ON CONTACT AREA G/F PLATED ON SOLDER AREA NICKEL 50u" MIN. UNDER PLATED.
- 2-3. HOLD DOWN: MATTE TIN 80u" MIN. PLATED OVERALL NICKEL 50u" MIN. UNDER PLATED.

3. SPECIFICATION

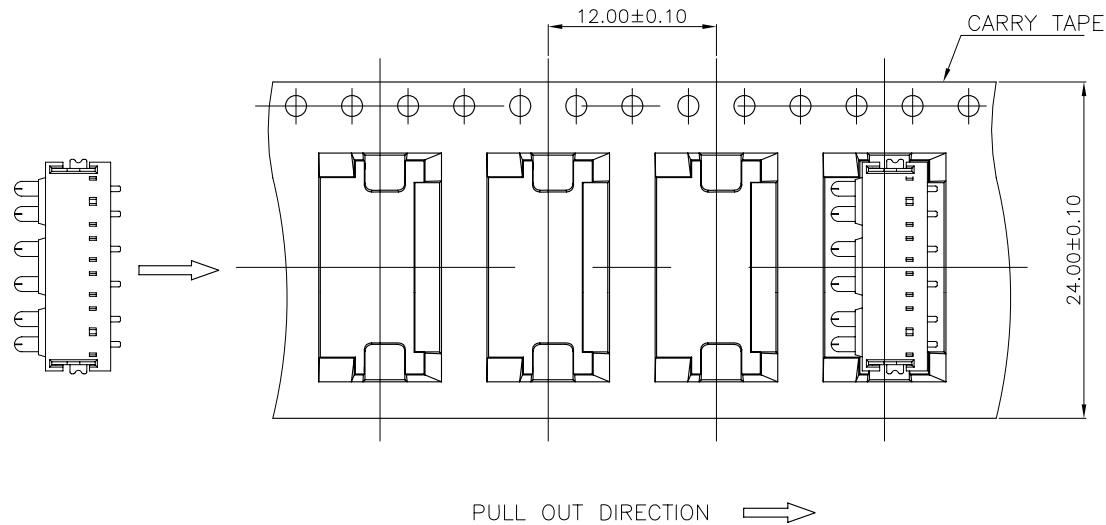
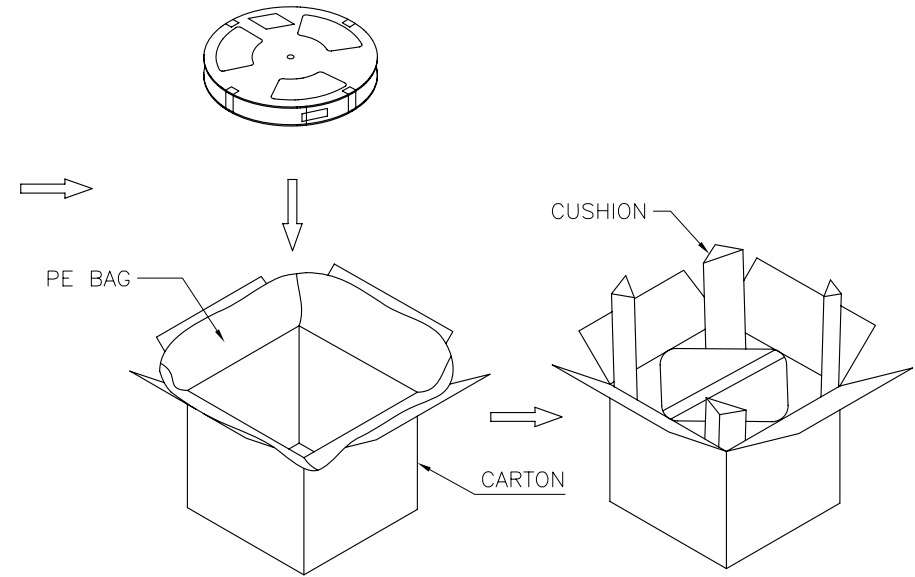
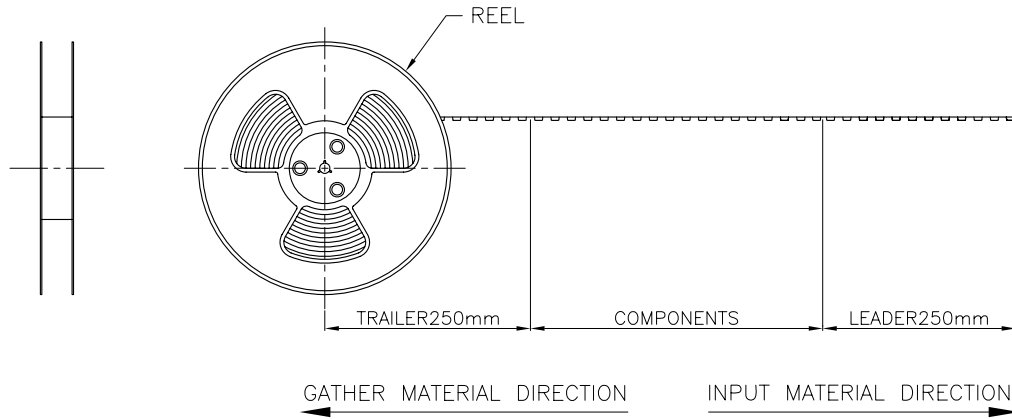
- 3-1. CURRENT RATING : 4 A MAX.
- 3-2. DURABILITY : 10000 CYCLES.
- 3-3. NORMAL FORCE : 150±30g@1.0mm

4. PART NUMBER INFORMATION



TOLERANCE .0=±0.25 .00=±0.15 .000=±0.05 ANG.=±3°		DRAWER <i>BJN</i>		Astron ASTRON TECHNOLOGY CORP.
UNITS : mm		CHECK		
SCALE NONE		APP'D		NAME 6 PINS BATTERY CONNECTOR H=1.75mm
SIZE A7		PRODUCT SPEC.		DRAW NO. R6593306-X0003T-H
SHEET 1 OF 2		REV. A		

REV.	DESCRIPTION	DATE
A	RELEASE	Jul. 24, 2013



PACKAGE

- 1. QUANTITY :
- 1500 PCS/REEL
- 6 REEL/CARTON = 9000PCS

TOLERANCE .0=±0.25 .00=±0.15 .000=±0.05 ANG.=±3°	DRAWER <i>BJN</i>		 ASTRON TECHNOLOGY CORP.
	CHECK		
 UNITS : mm	APP'D		6 PINS BATTERY CONNECTOR H=1.75mm
	PRODUCT SPEC.		DRAW NO. R6593306-X0003T-H
SCALE NONE	SIZE A7	SHEET 2 OF 2	REV. A