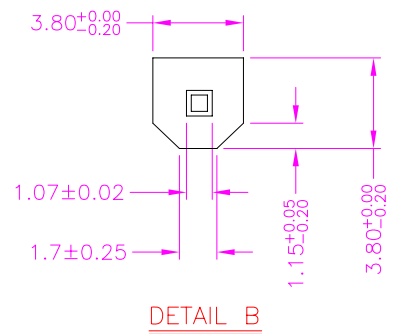
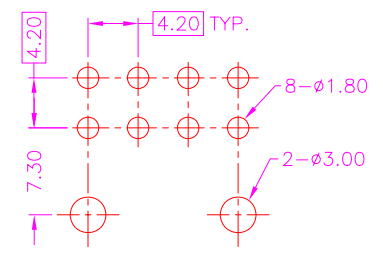
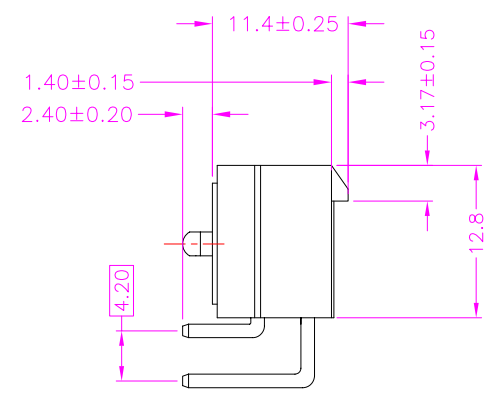
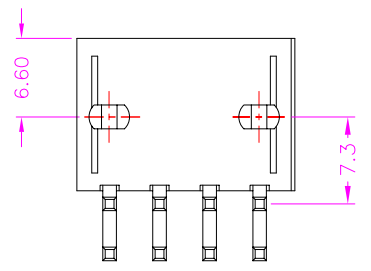
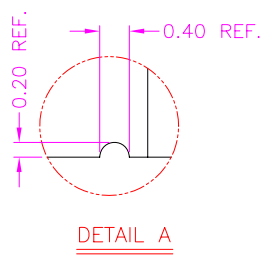
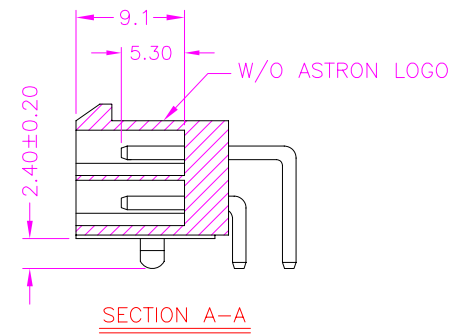
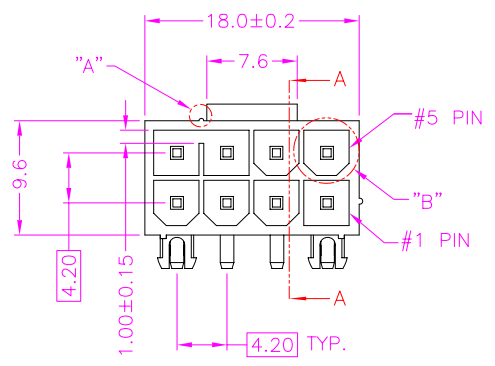


REV.	DESCRIPTION	DATE
A	RELEASE	Feb. 10, 2012



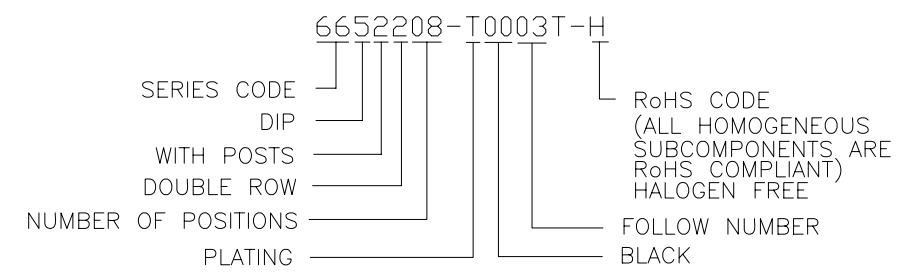
MATERIALS

- HOUSING : L.C.P (UL 94V-0), BLACK.
- TERMINAL : BRASS.

SPECIFICATION

- DIELECTRIC WITHSTANDING VOLTAGE : 1500V AC R.M.S. FOR ONE MINUTE
- INSULATION RESISTANCE : 1000M OHMS MIN. AT 1000V DC.
- CONTACT RESISTANCE : 30m OHMS MAX.
- OPERATING TEMPERATURE : -40° TO 105°C
- VOLTAGE RATING : 600V AC R.M.S.
- MAX. PROCESSING TEMP. : 230°C FOR 60 SECONDS. 260°C FOR 10 SECONDS.
- CURRENT RATING : 15 AMP MAX.

PART NUMBER INFORMATION :



TOLERANCE		DRAWER		NAME
.0=±0.30	.00=±0.20	JANPE		
.000=±.XXX	.0000=±.	CHECK		WWW.ASTRON.COM.TW
ANG.=±3°		JNY		
	PRODUCT SPEC.	APP'D		POWER CONNECTOR 4.20mm PITCH, RIGHT ANGLE (W/O ASTRON LOGO)
		BEN		
UNITS : mm [inch]		DRAW NO.		6652208-T0003T-H
SCALE NONE	SIZE A4	SHEET 1 OF 1	REV. A	10018 N0002