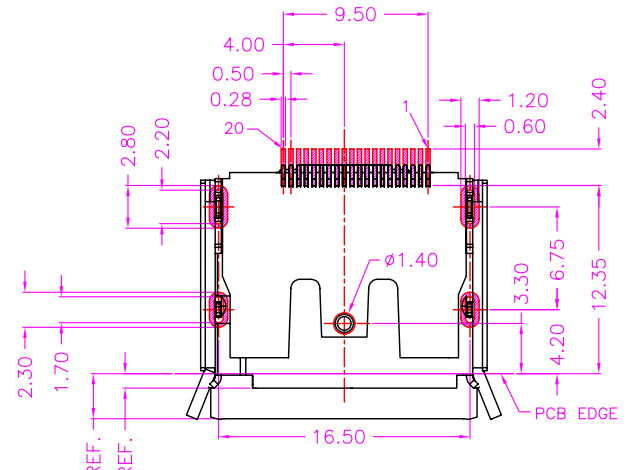
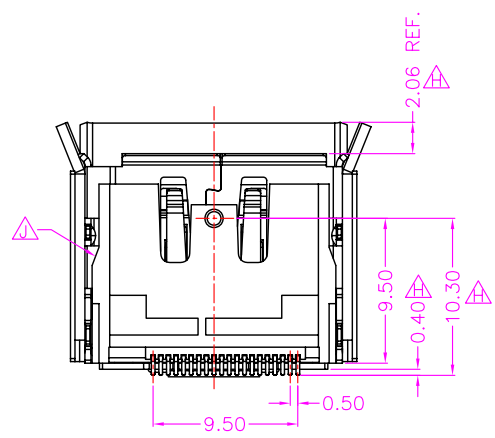
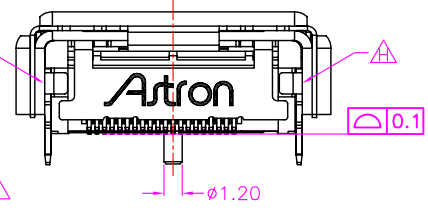
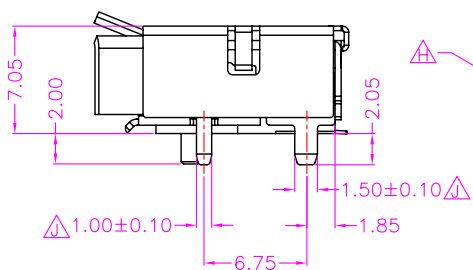
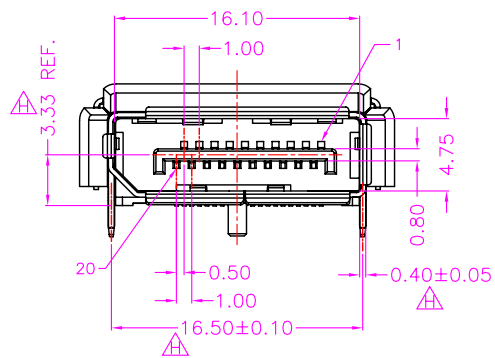
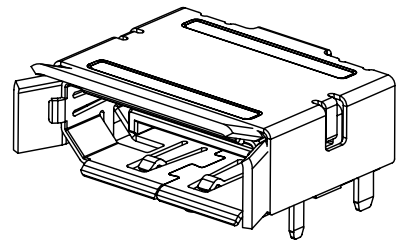
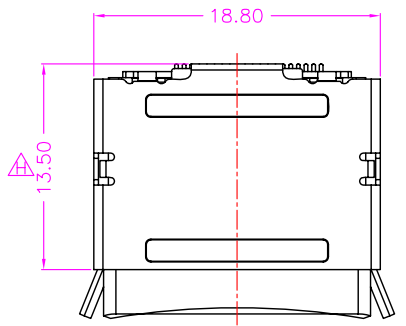


REV.	DESCRIPTION	DATE	REV.	DESCRIPTION	DATE
G	DRAW MODIFY	Dec. 23, 2009	A	RELEASE	Feb. 14, 2008
H	DRAW MODIFY	Aug. 23, 2012	B	MODIFY DRAW	Feb. 19, 2008
I	MATERIALS MODIFY	Aug. 24, 2012	C	DIM. MODIFY	Jun. 13, 2008
J	DRAW. & PACKAGE MODIFY	Sep. 16, 2014	D	ADD PACKING	Sep. 04, 2008
K	TERMINAL PLATING MODIFY	Aug. 29, 2016	E	DRAW MODIFY	Mar. 24, 2009
			F	PACKAGE MODIFY	Jun. 18, 2009



**RECOMMENDED P.C.B LAYOUT
TOLERANCE ±0.05
TOP VIEW**

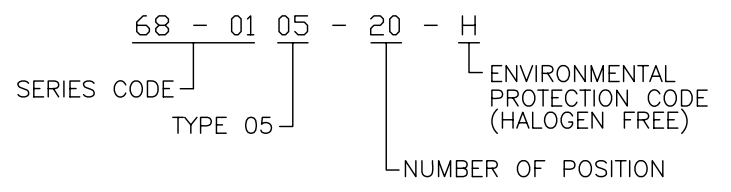
MATERIALS

- HOUSING : L.C.P. (UL 94V-0), BLACK.
- TERMINAL : BRASS, GOLD 1u"~3u" PLATING.
- SHELL : COPPER ALLOY, NICKEL PLATING.
- OUTER SHELL : STAINLESS STEEL.
- GASKET: GASKET.

SPECIFICATION

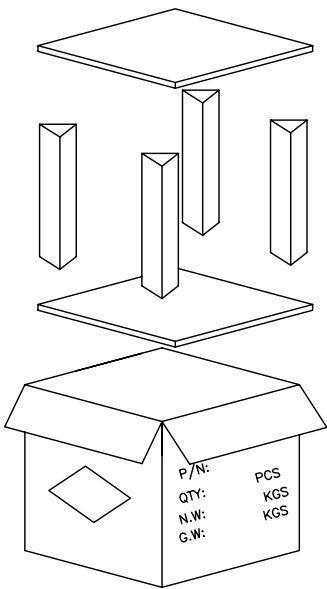
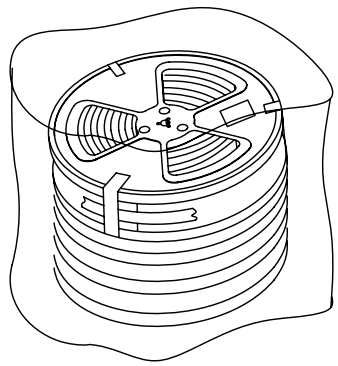
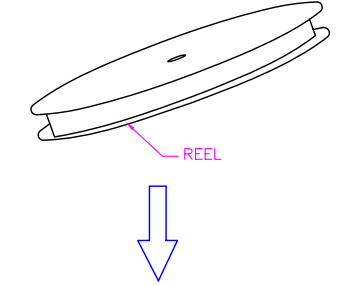
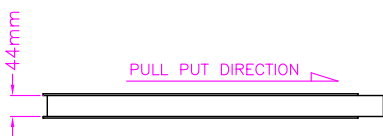
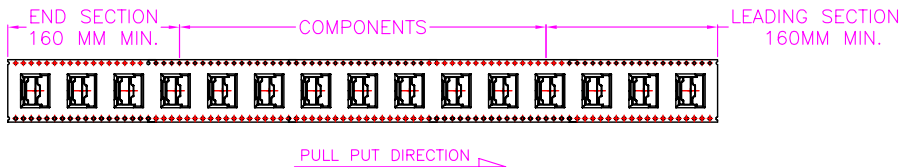
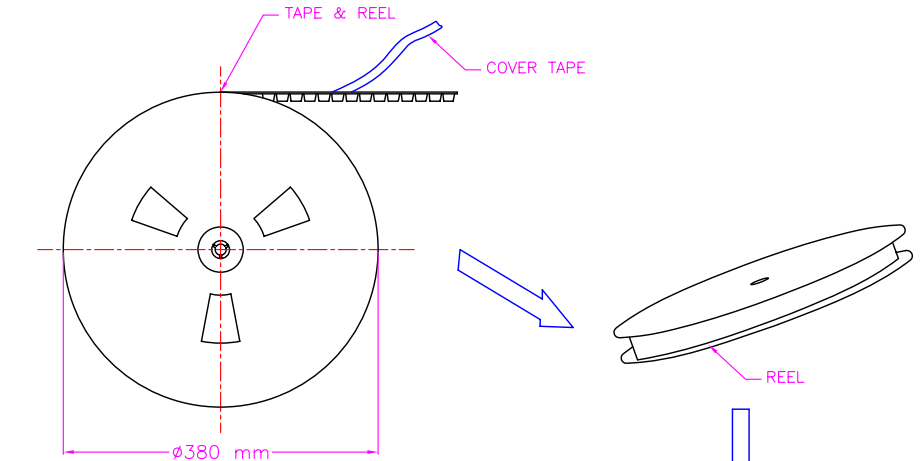
- CURRENT RATING : 0.5 AMP. MAX.
- DIELECTRIC WITHSTANDING VOLTAGE : 500V AC R.M.S. FOR ONE MINUTE.
- INSULATION RESISTANCE : 100M OHMS MIN. AT 500V DC
- CONTACT RESISTANCE : 30m OHMS MAX.
- OPERATING TEMPERATURE : -25°C TO +85°C.
- DURABILITY : 10000 CYCLES.
- MATING FORCE : 4.5kgf MAX.
- UNMATING FORCE : 1.0kgf MIN.

PART NUMBER INFORMATION



TOLERANCE .0=±.30 .00=±.20 .000=±.XXX .0000=±. ANG.=±3°		DRAWER JFNG CHECK JANFB APP'D ERFB PRODUCT SPEC. _____	 WWW.ASTRON.COM.TW NAME DisplayPort R/A, SMT TYPE, FEMALE WITH CONDUCTIVE GASKET
UNITS : mm [inch]	SCALE NONE SIZE A4 SHEET 1 OF 2 REV. K	DRAW NO. 68-0105-20-H 08031	

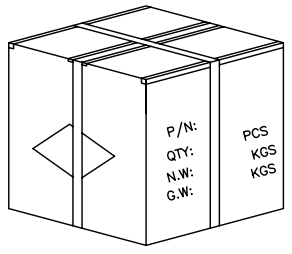
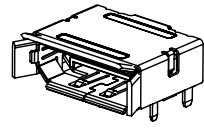
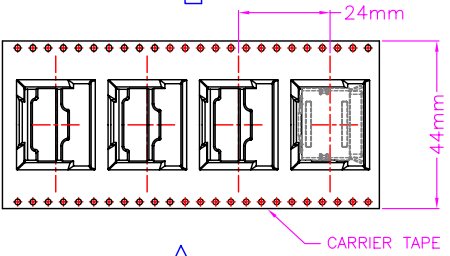
REV.	DESCRIPTION	DATE	REV.	DESCRIPTION	DATE
G	DRAW MODIFY	Dec. 23, 2009	A	RELEASE	Feb. 14, 2008
H	DRAW MODIFY	Aug. 23, 2012	B	MODIFY DRAW	Feb. 19, 2008
I	MATERIALS MODIFY	Aug. 24, 2012	C	DIM. MODIFY	Jun. 13, 2008
J	DRAW. & PACKAGE MODIFY	Sep. 16, 2014	D	ADD PACKING	Sep. 04, 2008
K	TERMINAL PLATING MODIFY	Aug. 29, 2016	E	DRAW MODIFY	Mar. 24, 2009
			F	PACKAGE MODIFY	Jun. 18, 2009



TAPE & PACKAGE :
MATERIAL :
 1. CARRIER TAPE : PS
 2. COVER TAPE: PE
 3. REEL : PS

QUANTITY:
 1. 300 PCS/REEL
 2. 1500 PCS/CARTON

DIMENSION :
 REEL SIZE :
 DIA=380.0mm, W=44.0mm
 CARTON :
 L=400mm, W=400mm, H=270mm



TOLERANCE .0=±.XXX .00=±.XXX .000=±.XXX .0000=±. ANG.=±X°		DRAWER <i>JING</i>	 WWW.ASTRON.COM.TW	
UNITS : mm [inch]		CHECK <i>JANICE</i>		NAME DisplayPort R/A, SMT TYPE, FEMALE WITH CONDUCTIVE GASKET
SCALE NONE	SIZE A4	APP'D <i>SRFB</i>		DRAW NO. 68-0105-20-H
SHEET 2 OF 2	REV. K	PRODUCT SPEC. —	08031	