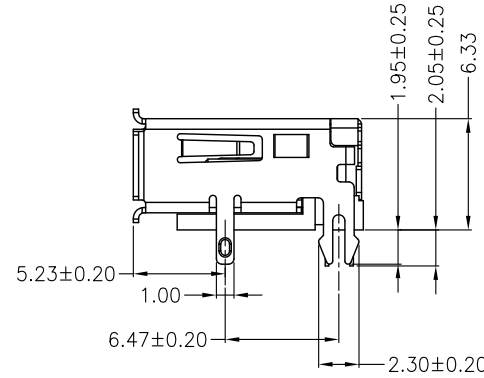
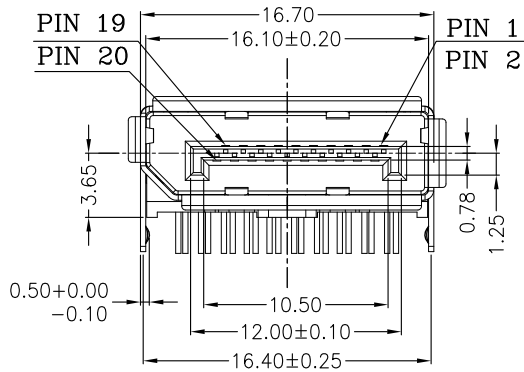
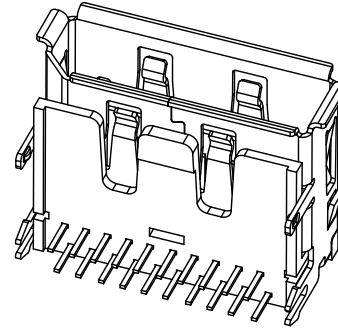
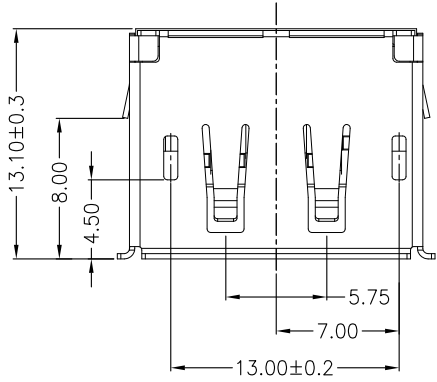


REV.	DESCRIPTION	DATE
A	RELEASE	Sep. 06, 2019



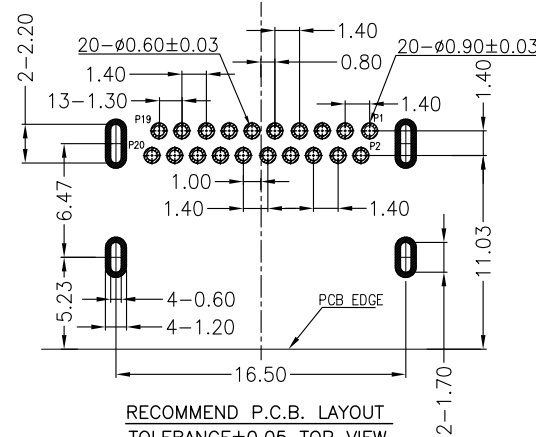
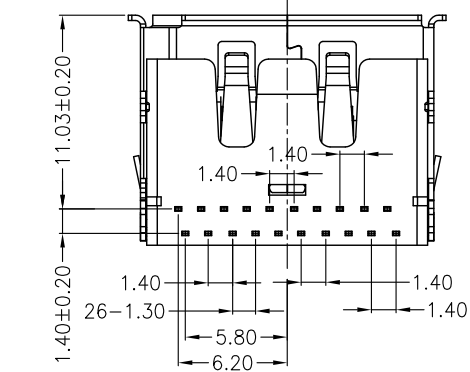
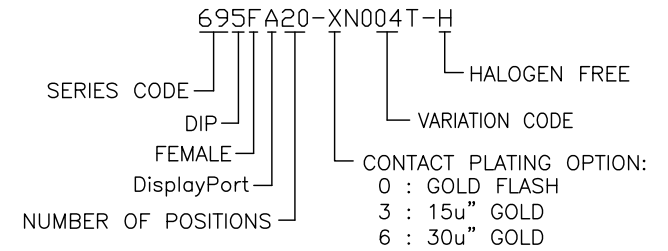
**MATERIALS:**

1. HOUSING : L.C.P. (UL94V-0), BLACK
2. TERMINAL : BRASS, GOLD PLATED ON CONTACT AREA, TIN PLATED ON SOLDER TAIL, UNDER NICKEL PLATED OVER ALL.
3. SHELL : STAINLESS STEEL. NICKEL PLATED OVER ALL.

**SPECIFICATION**

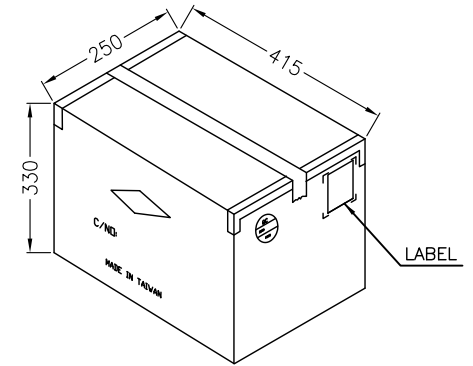
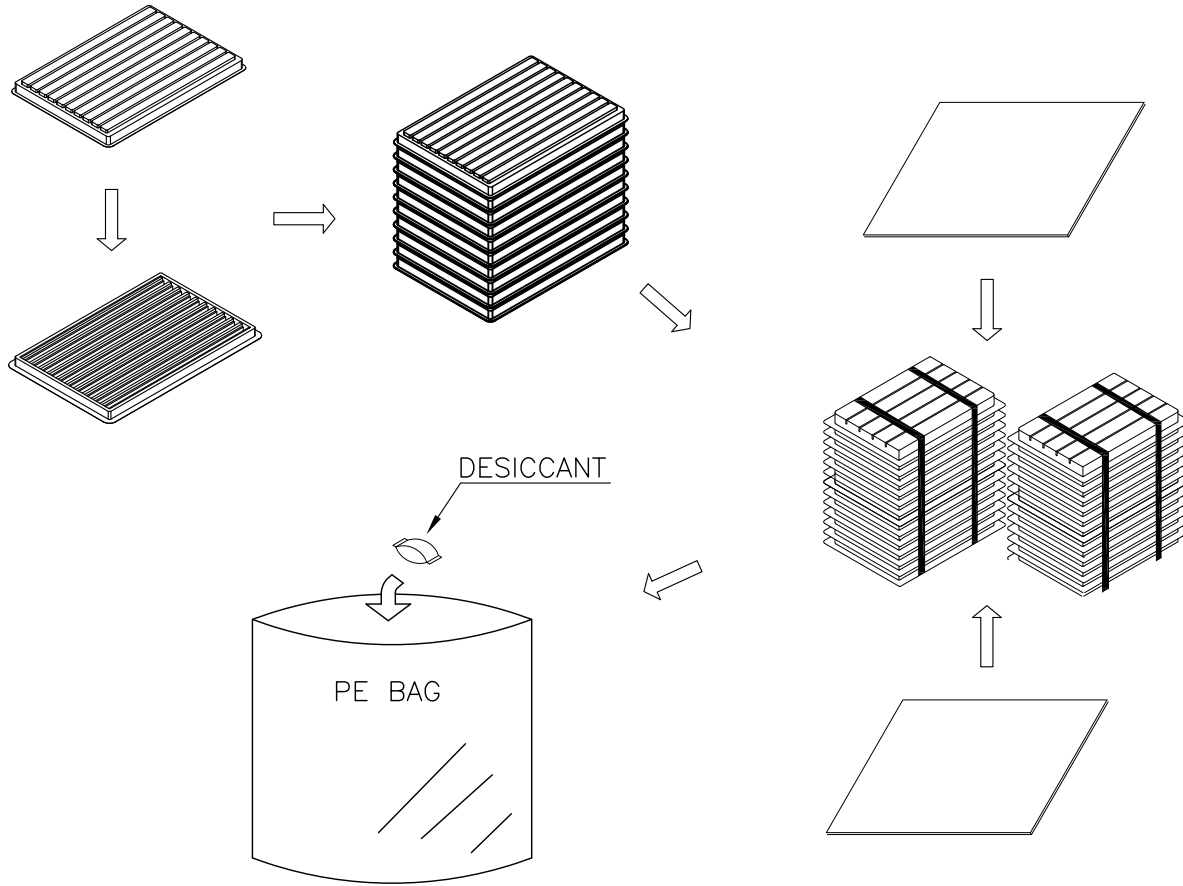
1. RATING VOLTAGE : 40V AC MAX.
2. CURRENT RATING : 0.5 AMP. PER CONTACT.
3. DIELECTRIC WITHSTANDING VOLTAGE : 500V AC R.M.S. FOR ONE MINUTE.
4. INSULATION RESISTANCE : 100M OHMS MIN.
5. CONTACT RESISTANCE : 30m OHMS MAX.
6. OPERATING TEMPERATURE : -55°C TO +85°C.
7. INSERTION FORCE : 4.5kgf MAX.
8. EXTRACTION FORCE : 1.0kgf MIN.

**PART NUMBER INFORMATION:**





GENERAL TOLERANCE	DRAWER <i>LJJ</i>		<b>Astron®</b> ASTRON TECHNOLOGY CORP.	
DIM.	CHECK <i>JOE</i>			
ANG.	APP'D <i>ALAN</i>		NAME	
3rd ANGLE PROJECTION	PRODUCT SPEC. -		DisplayPort FEMALE DIP TYPE	
SCALE NONE	SIZE A4	SHEET 1 OF 2	REV. A	PART NO. 695FA20-XN004T-H
			CONFIDENTIAL	
			07002	C NO.

REV.	DESCRIPTION	DATE
A	RELEASE	Sep. 06, 2019



**PACKAGE**

1. SIZE :  
CARTON : 415 x 250 x 330 mm (LxWxH)
2. QUANTITY :  
70 PCS/TRAY  
36 TRAY/CARTON = 2,520 PCS

GENERAL TOLERANCE		DRAWER <i>LJI</i>		 <b>ASTRON TECHNOLOGY CORP.</b>	
DIM.	0.=±X.XX	CHECK <i>JOE</i>			
	.0=±X.XX	APP'D <i>ALAN</i>		DisplayPort FEMALE DIP TYPE	
ANG.	.00=±0.25	PACKAGE SPEC.			PART NO. 695FA20-XN004T-H
	.000=±0.13	-			
3rd ANGLE PROJECTION		CONFIDENTIAL		C NO.	
 UNITS : mm		SCALE NONE	SIZE A4	SHEET 2 OF 2	REV. A
		07002			