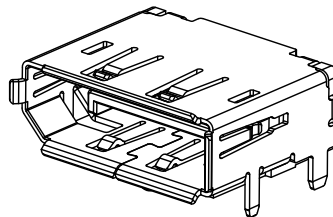
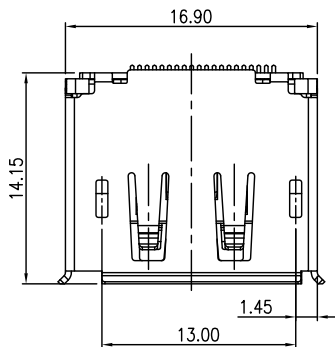
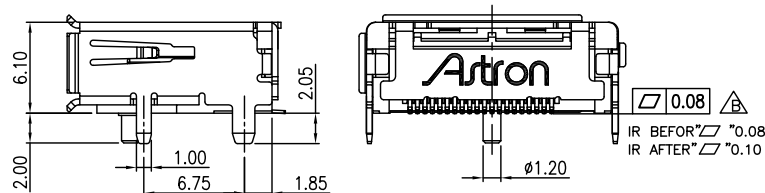
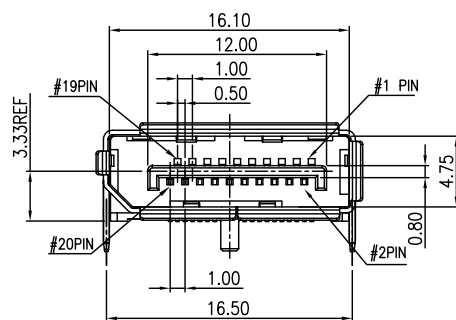


REV.	DESCRIPTION	DATE
A	RELEASE	MAR 15, 2010
B	N13'05034	MAR 10, 2013
C	N14'09018	Sep.11.2014
D	N16'01008	Jan.27.2016
E	N17'07004	Aug.07.2017



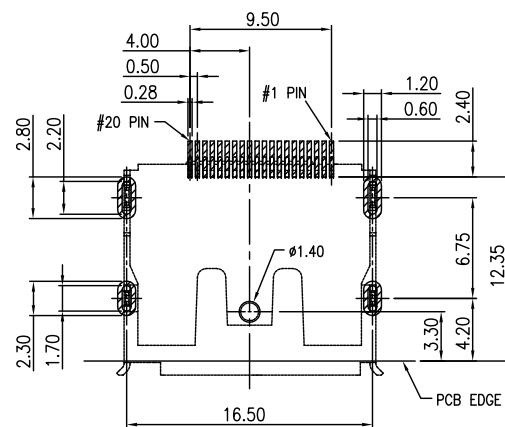
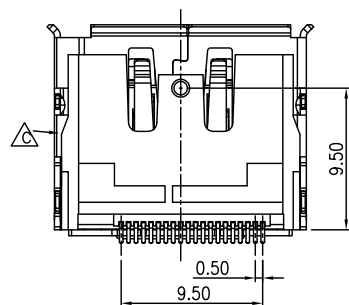
MATERIALS

1. HOUSING : THERMOPLASTIC (UL 94V-0) BLACK.
2. TERMINAL : BRASS, GOLD PLATING.
3. SHELL : COPPER ALLOY, NICKEL PLATING.



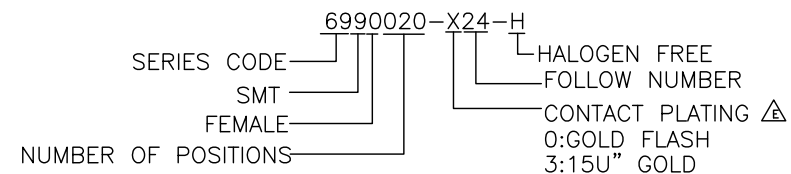
SPECIFICATION

1. CURRENT RATING : 0.5A. MAX.
2. DIELECTRIC WITHSTANDING VOLTAGE : 500V AC R.M.S. FOR ONE MINUTE.
3. INSULATION RESISTANCE : 100MΩ MIN. AT 500V DC
4. CONTACT RESISTANCE : 30mΩ MAX.
5. OPERATING TEMPERATURE : -25°C TO +85°C.
6. DURABILITY : 10000 CYCLES.
7. MATING FORCE : 4.5kgf MAX.
8. UNMATING FORCE : 1.0kgf MIN.



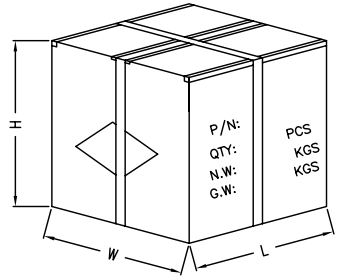
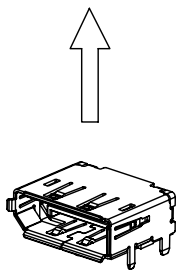
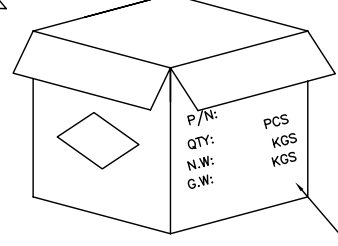
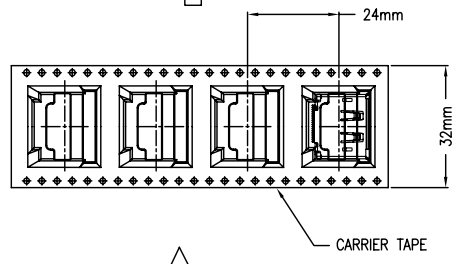
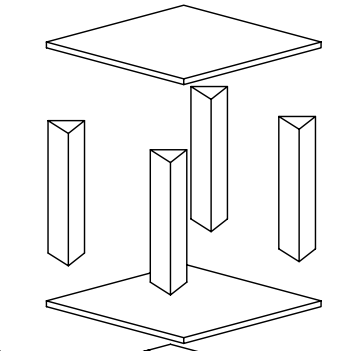
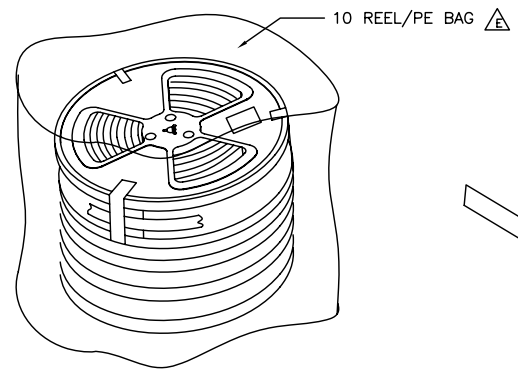
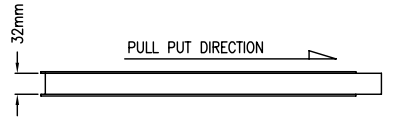
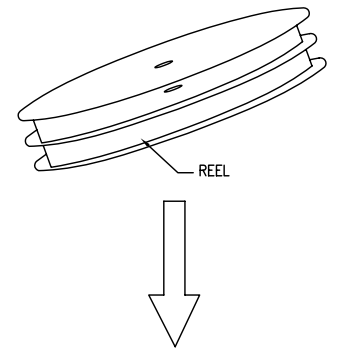
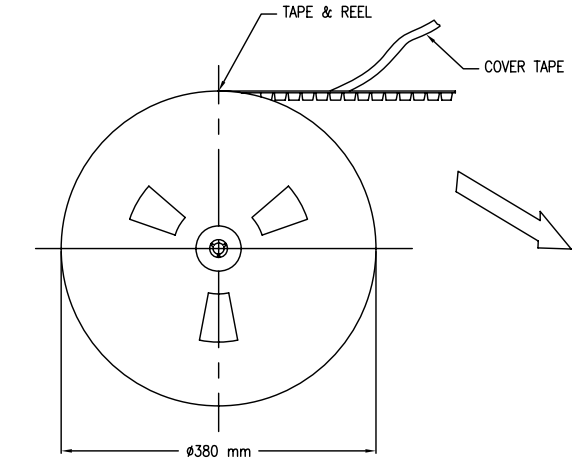
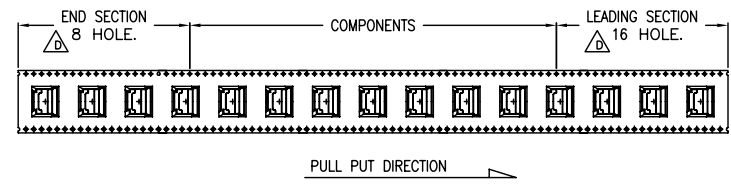
RECOMMENDED P.C.B. LAYOUT
TOLERANCE ±0.05
TOP VIEW

PART NUMBER INFORMATION



TOLERANCE	DRAWER	 ASTRON TECHNOLOGY CORP. NAME DISPLAY PORT R/A SMT TYPE. FEMALE. STANDARD DRAW NO. R6990020-X24-H	
.0=±0.30	Duan		
.00=±0.20	CHECK		
.000=±.XXX	Stony		
ANG.=±X°	APP'D		
	Stony		
UNITS : mm [inch]	PRODUCT SPEC.		
SCALE	SIZE	SHEET	REV.
NONE	A4	1 OF 2	E

REV.	DESCRIPTION	DATE
A	RELEASE	MAR 15, 2010
B	N13'05034	MAR 10, 2013
C	N14'09018	Sep.11.2014
D	N16'01008	Jan.27.2016
E	N17'07004	Aug.07.2017



TAPE & PACKAGE :
MATERIAL :
 1. CARRIER TAPE : PS
 2. COVER TAPE: PE
 3. REEL : PS
QUANTITY:
 1. 300 PCS/REEL
 2. 10 REEL/CARTON: 3000PCS
DIMENSION :
 REEL SIZE :
 DIA=380.0mm, W=32.0mm
 CARTON :
 L=400mm, W=400mm, H=400mm

TOLERANCE		DRAWER	
.0=±0.30		Duan	
.00=±0.20		CHECK	
.000=±.XXX		Stony	
ANG.=±X°		APP'D	
		Stony	
		PRODUCT SPEC.	

UNITS : mm [inch]			
SCALE	SIZE	SHEET	REV.
NONE	A4	2 OF 2	E

Astron	
ASTRON TECHNOLOGY CORP.	
NAME	DISPLAY PORT R/A SMT TYPE. FEMALE. STANDARD
DRAW NO.	R6990020-X24-H