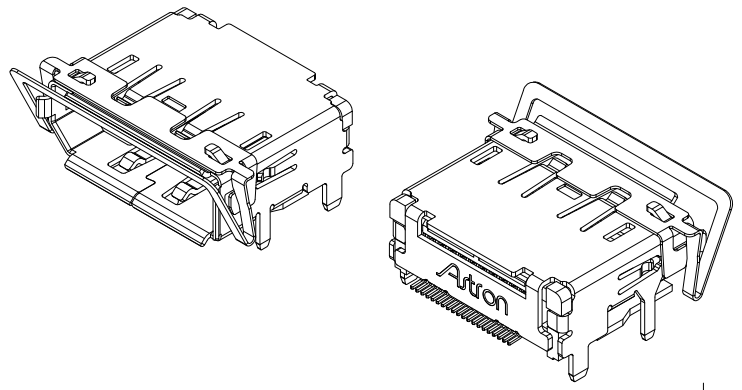
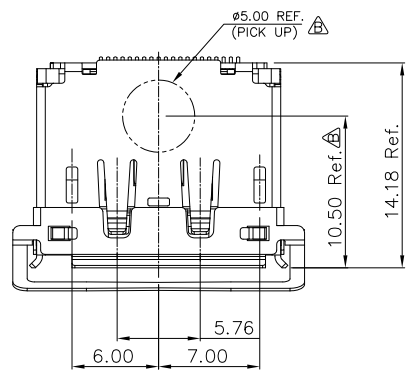


REV.	DESCRIPTION	DATE
A	N20'04007	Apr.27, 2020
B	ADD DIM	Dec.28, 2020

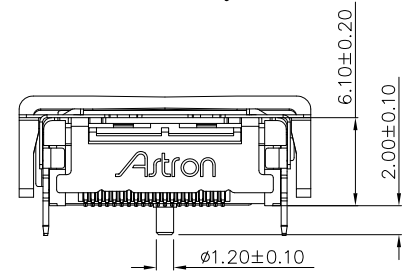
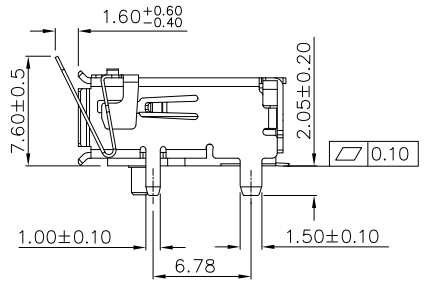
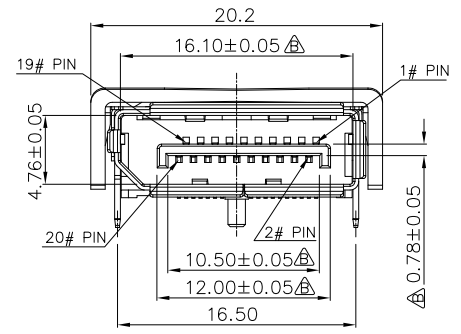


MATERIALS

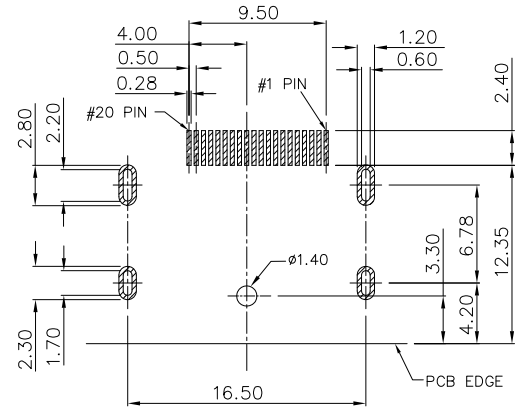
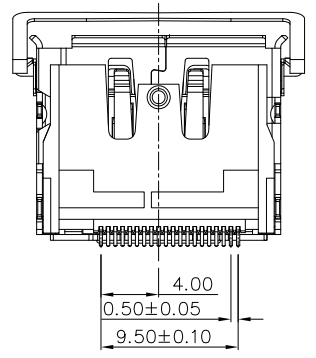
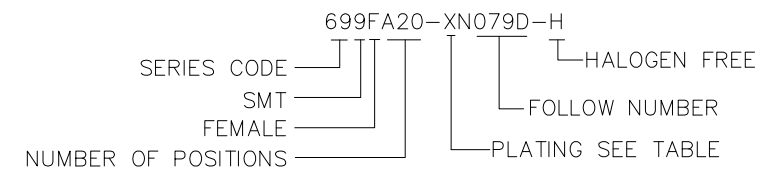
1. HOUSING : LCP (UL94V-0),BLACK.
2. TERMINAL : BRASS, GOLD PLATING.
UNDER 80U" NICKEL PLATING
3. SHELL : COPPER ALLOY, 50U" NICKEL PLATING.
4. SPRING: STAINLESS STEEL, T=0.20mm.

SPECIFICATION

1. CURRENT RATING : 0.5A. MAX.
2. DIELECTRIC WITHSTANDING VOLTAGE :
500V AC R.M.S. FOR ONE MINUTE.
3. INSULATION RESISTANCE : 100MΩ MIN.
AT 500V DC
4. CONTACT RESISTANCE : 30mΩ MAX.
5. OPERATING TEMPERATURE : -25°C TO +85°C.
6. DURABILITY : 10000 CYCLES.
7. MATING FORCE : 4.5kgf MAX.
8. UNMATING FORCE : 1.0kgf MIN.



PART NUMBER INFORMATION

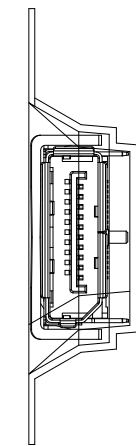
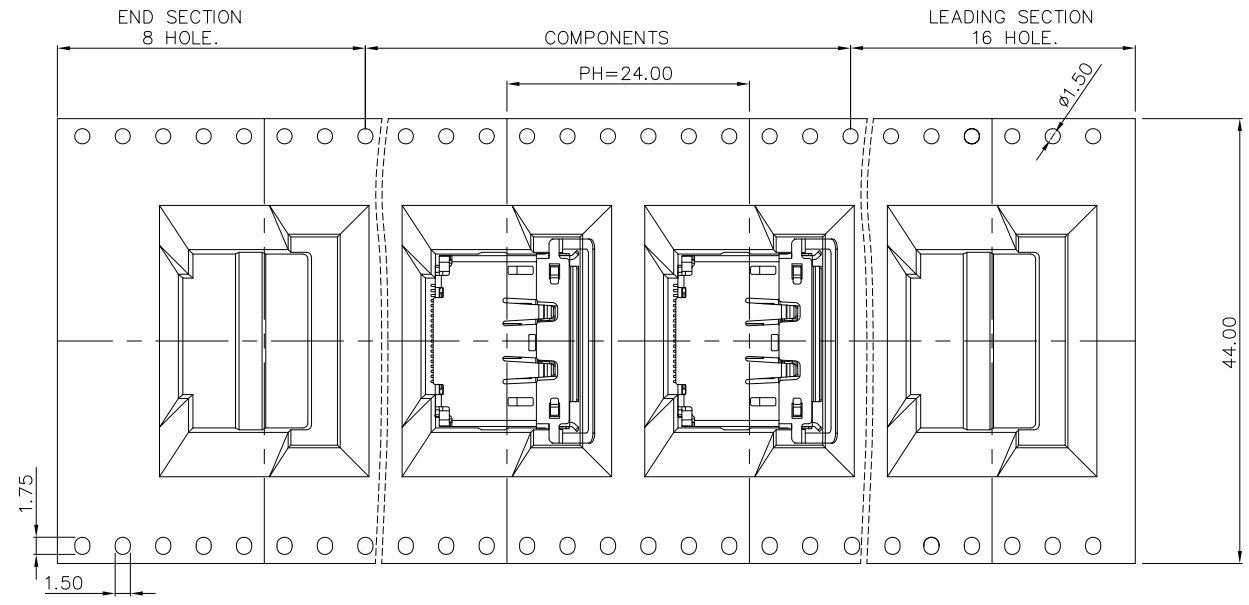


RECOMMENDED P.C.B LAYOUT
TOLERANCE ±0.05
TOP VIEW

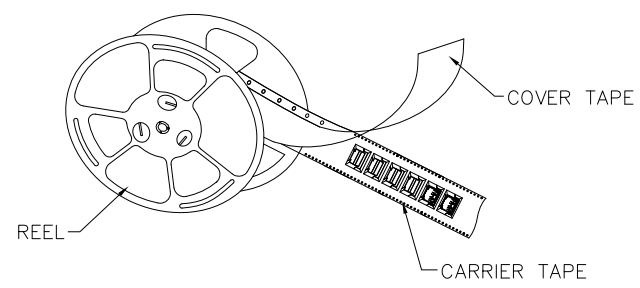
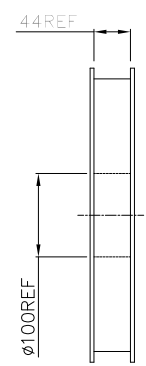
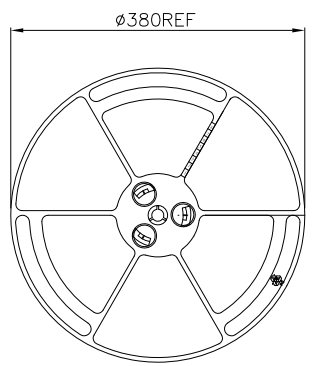
DESCRIPTION OF PLATING ON TERMINALS			
NO.	EXPLAIN	NO.	EXPLAIN
0	GOLD FLASH	3	GOLD 15u"
6	GOLD 30u"		

TOLERANCE	DRAWER	 ASTRON TECHNOLOGY CORP.	
.0=±0.25	Chen		
.00=±0.15	CHECK		
.000=±0.05	Stony		
ANG.=±3°	APP'D	NAME	
	Stony	DISPLAY PORT R/A SMT TYPE. FEMALE. WITH SPRING	
	PRODUCT SPEC.	DRAW NO.	
UNITS : mm		R699FA20-XN079D-H	
SCALE NONE	SIZE A4	SHEET 1 OF 2	REV. B

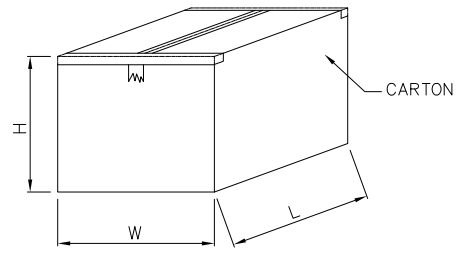
REV.	DESCRIPTION	DATE
A	N20'04007	Apr.27, 2020
B	ADD DIM	Dec.28, 2020



PULL OUT DIRECTION



REEL FOR CARRIER TAPE



TAPE & REEL PACKAGE :

MATERIALS

1. CARRIER TAPE: POLYSTYREN (PS)
2. COVER TAPE: POLYSTYREN (PS)
3. REEL: POLYSTYREN (PS)

QUANTITY

1. 300PCS PER REEL
2. 5 REEL PER CARTON(1500PCS PER CARTON)
(CARTON :L=400mm, W=400mm, H=270mm)

TOLERANCE .0=±0.25 .00=±0.15 .000=±0.05 ANG.=±3°	DRAWER <i>Chen</i>	ASTRON TECHNOLOGY CORP.
	CHECK <i>Hony</i>	
UNITS : mm	APP'D <i>Hony</i>	DRAW NO. R699FA20-XN079D-H
SCALE NONE	SIZE A4	SHEET 2 OF 2
	REV. B	