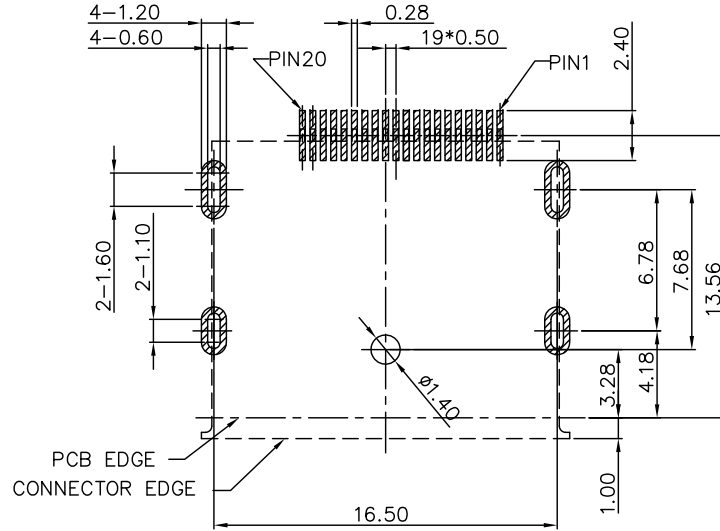
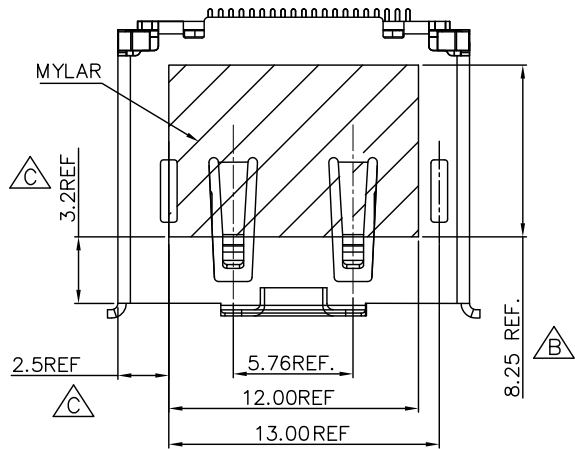
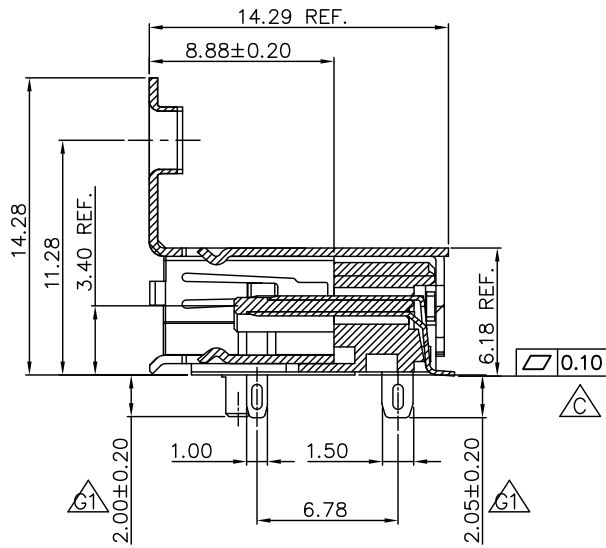
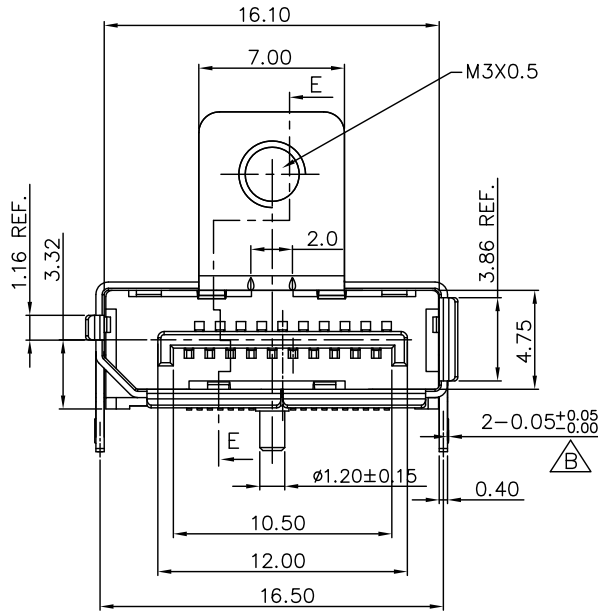


REV.	DESCRIPTION	DATE
D	N13'10026	Oct.29.2013
E	N14'12012	Dec.19.2014
F	N16'01008	Jan.27.2016
G1		Jun.22,2018



RECOMMEND PCB LAYOUT
TOLERANCE: ± 0.05 B



SECTION E-E

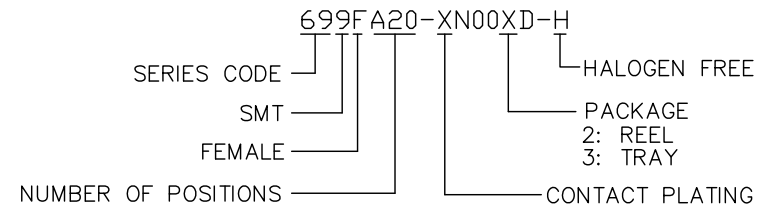
MATERIALS:

- HOUSING: THERMOPLASTIC (UL94V-0),BLACK
- TERMINAL: COPPER ALLOY ,T=0.2mm.
PLATING : GOLD PLATED .
- SHELL: COPPER ALLOY ,T=0.4mm.
PLATING : NICKEL PLATED OVERALL.

SPECIFICATION

- CURRENT RATING : 0.5 A MAX.
- DIELECTRIC WITHSTANDING VOLTAGE :
500V AC R.M.S. FOR ONE MINUTE.
- CONTACT RESISTANCE : 30mΩ MAX.
- INSULATION RESISTANCE :
1000MΩ MIN. AT 500V DC.
- OPERATING TEMPERATURE : -20°C TO +85°C.

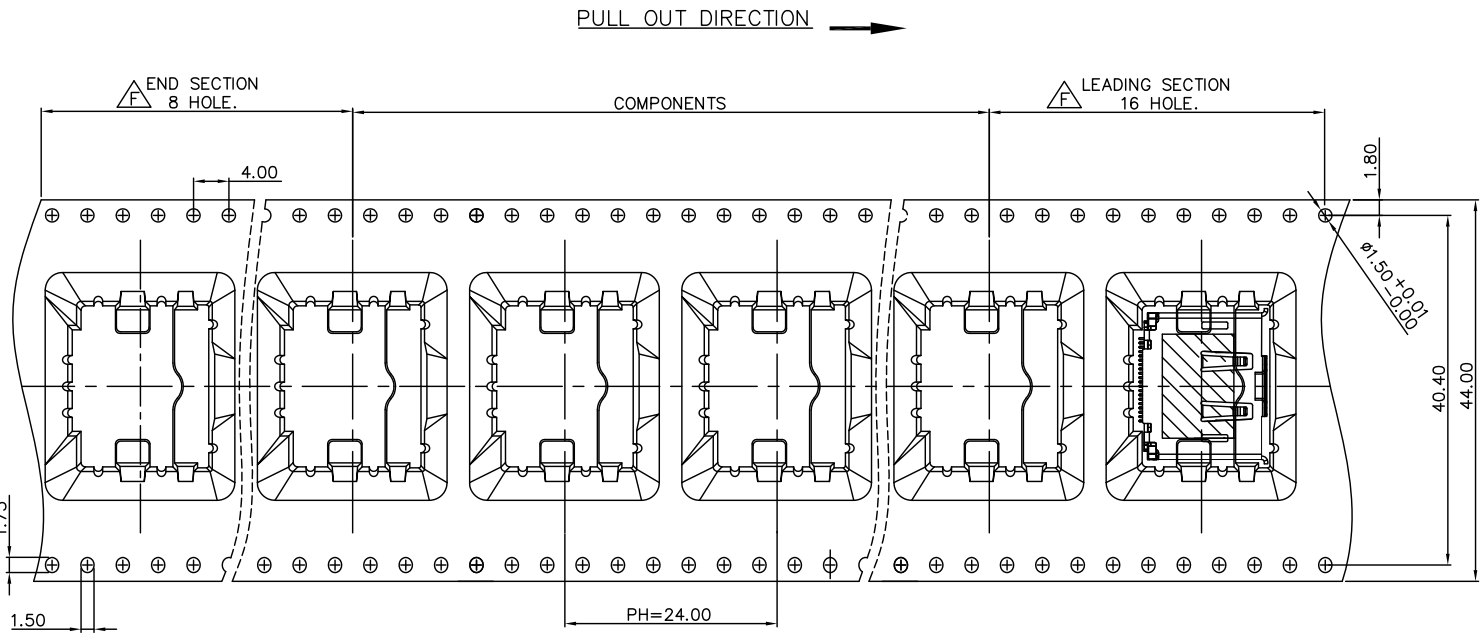
PART NUMBER INFORMATION:



DESCRIPTION OF PLATING ON TERMINALS			
NO.	EXPLAIN	NO.	EXPLAIN
0	GOLD FLASH	3	GOLD 15u"
6	GOLD 30u"		

TOLERANCE .0=±0.38 .00=±0.25 .000=±0.05 ANG.=±3°	DRAWER Duan	 Astron ASTRON TECHNOLOGY CORP.
	CHECK Stony	
APP'D Stony	PRODUCT SPEC.	
UNITS : mm	SCALE NONE SIZE A7	SHEET 1 OF 3 REV. G1

REV.	DESCRIPTION	DATE
D	N13'10026	Oct.29.2013
E	N14'12012	Dec.19.2014
F	N16'01008	Jan.27.2016
G1		Jun.22,2018

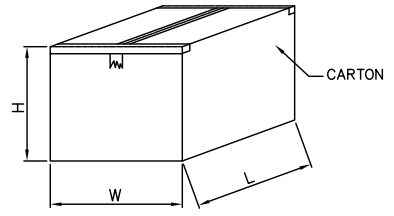
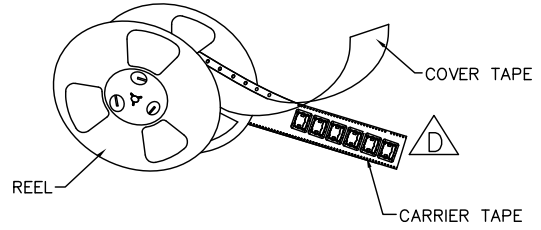
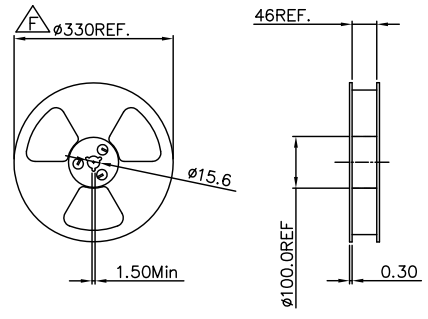


TAPE & REEL PACKAGE : MATERIALS

1. CARRIER TAPE: POLYSTYREN (PS)
2. COVER TAPE: POLYSTYREN (PS)
3. REEL: POLYSTYREN (PS)

QUANTITY

- $\triangle F$ 1. 120PCS PER REEL
- $\triangle E$ 2. 6 REEL PER CARTON(720PCS PER CARTON)
- $\triangle E$ (CARTON : L=350mm, W=350mm, H=340mm)



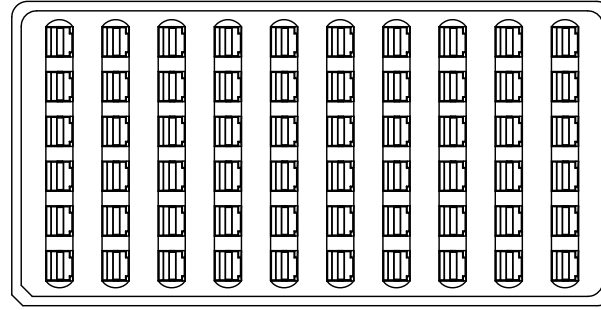
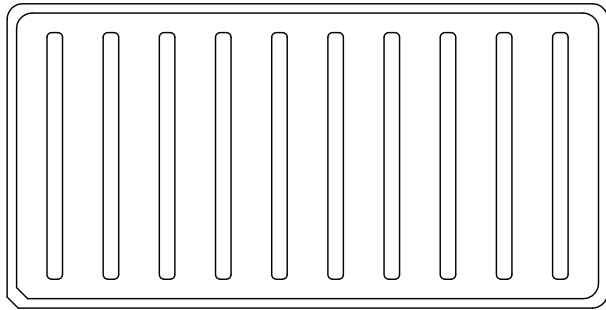
REEL FOR CARRIER TAPE

TOLERANCE		DRAWER		Astron ASTRON TECHNOLOGY CORP.
.0=±0.38		Duan		
.00=±0.25		CHECK		
.000=±0.05		Stony		
ANG.=±3°		APP'D		NAME
		Stony		DISPLAYPORT SMT TYPE FEMALE
		PRODUCT SPEC.		(SCREW THREAD M2)-8.78mm
				DRAW NO.
				R699FA20-XN00XD-H
UNITS : mm		SHEET		
SCALE NONE		2 OF 3		
SIZE A7		REV.		
		G1		

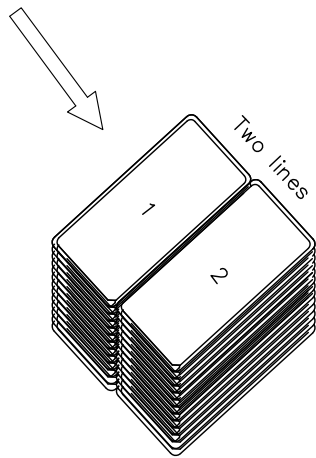
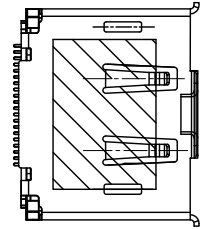
REV.	DESCRIPTION	DATE
D	N13'10026	Oct.29.2013
E	N14'12012	Dec.19.2014
F	N16'01008	Jan.27.2016
G1		Jun.22,2018

UP COVER

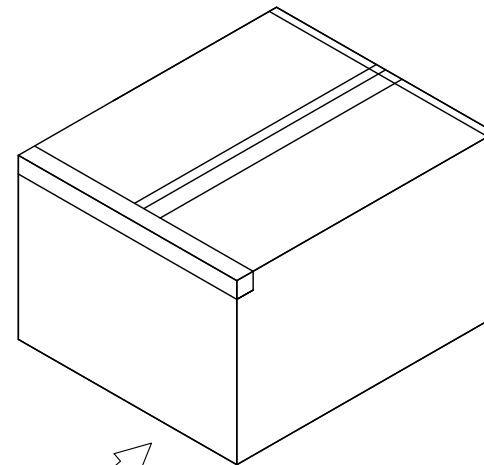
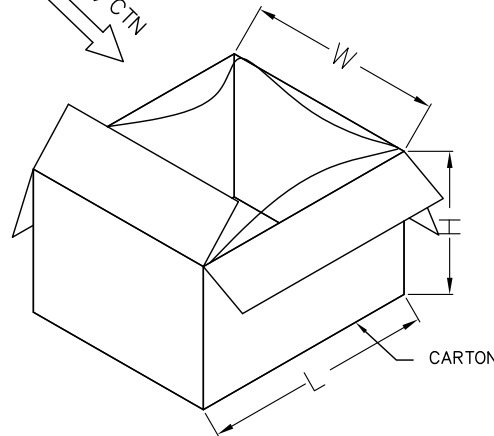
BOTTOM COVER



60PCS/TRAY



2*13 TRAY/CTN



PACKAGE :
MATERIALS

BOTTOM COVER&UP COVER: PS

QUANTITY

1.60PCS/TRAY


2.1560PCS/CARTON

DIMENSION

BOTTOM COVER SIZE : 270*165*17.5

UP COVER SIZE: 275*170*17.5

CARTON SIZE : 365*310*250

TOLERANCE .0=±0.38 .00=±0.25 .000=±0.05 ANG.=±3°		DRAWER Duan		 ASTRON TECHNOLOGY CORP. NAME DISPLAYPORT SMT TYPE FEMALE (SCREW THREAD M2)-8.78mm DRAW NO. R699FA20-XN00XD-H
UNITS : mm		CHECK Stony		
SCALE NONE SIZE A7		APP'D Stony		
SHEET 3 OF 3		PRODUCT SPEC.		
REV. G1				