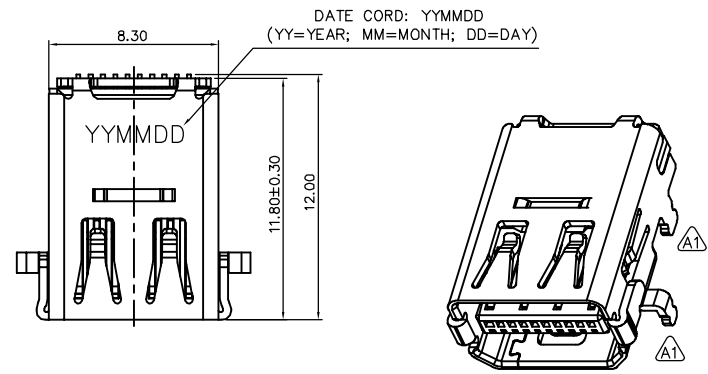


REV.	DESCRIPTION	DATE
A	RELEASE	Nov 23, 2015
A1		Apr 14, 2017



PIN	SIGNAL TYPE	PIN NAME
1	GND	GND
3	Out	ML_Lane 0(p)
5	Out	ML_Lane 0 (n)
7	GND	GND
9	Out	ML_Lane 1 (p)
11	Out	ML_Lane 1 (n)
13	GND	GND
15	Out	ML_Lane 2 (p)
17	Out	ML_Lane 2 (n)
19	GND	GND
2	IN	Hot Plug Detect
4	CFG	CONFIG 1
6	CFG	CONFIG 2
8	GND	GND
10	Out	ML_Lane 3(p)
12	Out	ML_Lane 3(n)
14	GND	GND
16	I/O	AUX_CH(p)
18	I/O	AUX_CH(n)
20	PWR Out	DP_PWR

MATERIALS:

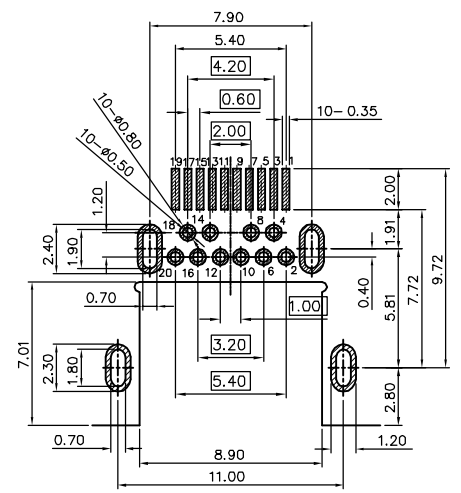
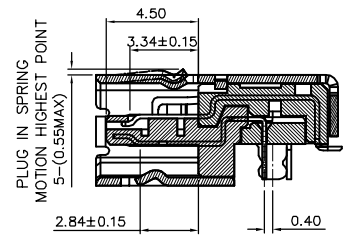
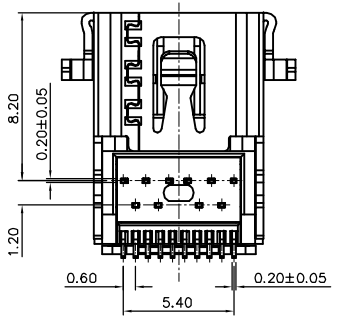
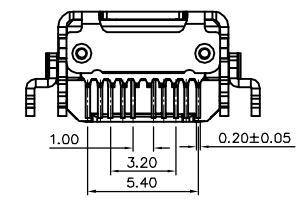
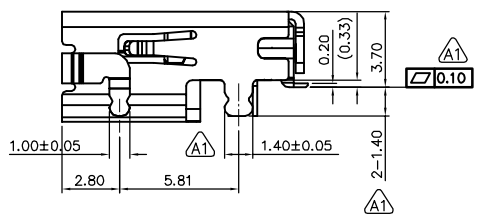
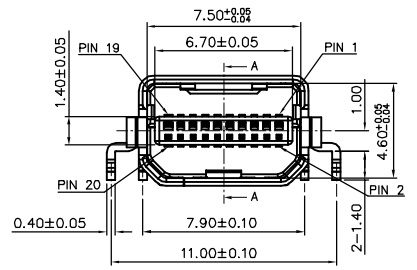
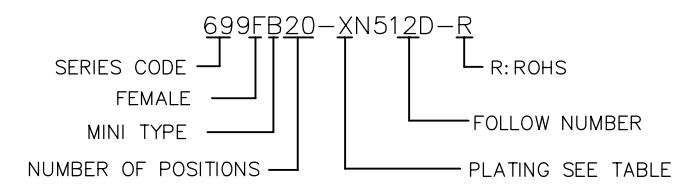
- HOUSING: HIGH TEMPERATURE THERMOPLASTIC UL 94V-0.
- TERMINAL: COPPER ALLOY,
GOLD PLATED ON CONTACT AREA,
TIN PLATED ON SOLDER TAIL,
NICKEL UNDER PLATED OVERALL.

- SHELL: STAINLESS STEEL, BLACK NICKEL PLATED OVERALL.

SPECIFICATION

- CURRENT RATING : 0.5A MAX
- CONTACT RESISTANCE : 30mΩ MAX.
- DIELECTRIC WITHSTANDING VOLTAGE :
500V AC R.M.S. FOR ONE MINUTE.
- INSULATION RESISTANCE : 100MΩ MIN AT 500V DC.
- OPERATING TEMPERATURE : -25°C TO +85°C.
- DURABILITY : 10000 CYCLES.
- MATING FORCE : 4.5Kgf MAX.
- UNMATING FORCE : 1.0Kgf~4.0Kgf.

PART NUMBER INFORMATION :



RECOMMENDED PCB LAYOUT(TOP VIEW)
(TOLERANCE=±0.05mm)

DESCRIPTION OF PLATING ON TERMINALS			
NO.	EXPLAIN	NO.	EXPLAIN
0	GOLD FLASH	6	GOLD 30u"
3	GOLD 15u"		

TOLERANCE	DRAWER	 ASTRON TECHNOLOGY CORP. NAME MINI DISPLAY PORT RECEPTACLE TYPE DRAW NO. R699FB20-XN512D-R	
.0=±0.25	CHECK		
.00=±0.15	APP'D		
.000=±0.05	PRODUCT SPEC.		
ANG.=±3'			
UNITS : mm			
SCALE NONE	SIZE A7	SHEET 1 OF 1	REV. A1