

REV.	DESCRIPTION	DATE
A	RELEASE	Apr. 13, 2015
B	N15'06024	Jun. 24, 2015
C	DRAW. MODIFY	Jan. 12, 2016
D	DRAW. MODIFY	Mar. 22, 2016
E	ADD. DIM. & PACKAGE MODIFY	Jul. 14, 2016

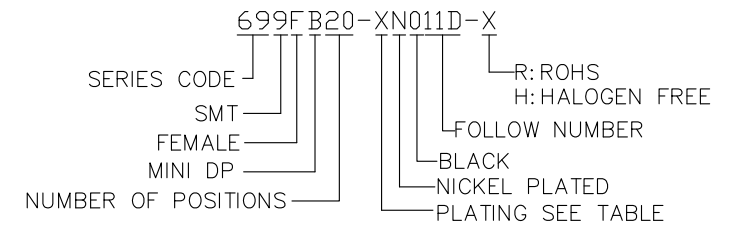
MATERIALS

- HOUSING & COVER : L.C.P, (UL 94V-0), BLACK.
- TERMINAL : BRASS, GOLD PLATED ON CONTACT AREA, TIN PLATED ON SOLDER TAILS, UNDER NICKEL PLATED.
- SHELL : BRASS, NICKEL PLATED OVERALL.
- SPRING : STAINLESS STEEL.

SPECIFICATION

- CURRENT RATING : 0.5A MIN.
- DIELECTRIC WITHSTANDING VOLTAGE : 500V AC R.M.S. FOR ONE MINUTE.
- CONTACT RESISTANCE : 30mΩ MAX.
- INSULATION RESISTANCE : 100MΩ MIN. AT 500V DC.
- OPERATING TEMPERATURE : -25°C TO +85°C.
- DURABILITY : 10,000 CYCLES.
- MATING FORCE : 4.5Kgf MAX.
- UNMATING FORCE : 1.0Kgf~4.0Kgf.

PART NUMBER INFORMATION :



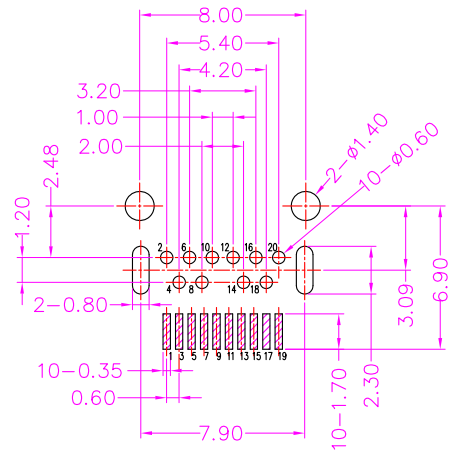
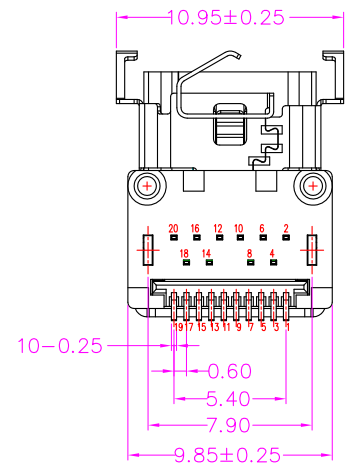
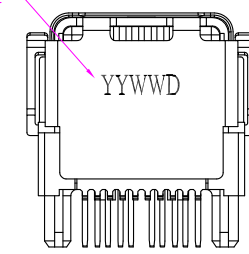
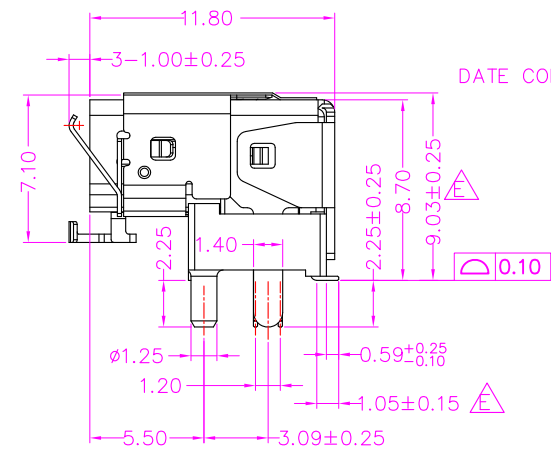
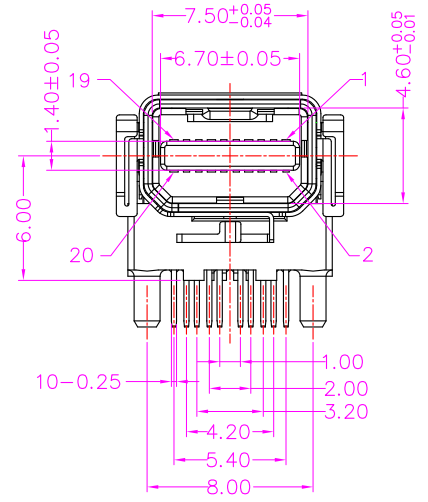
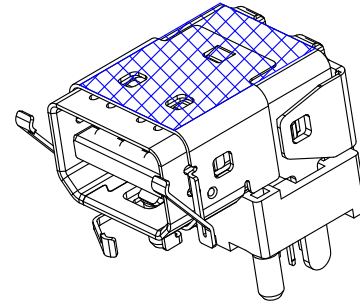
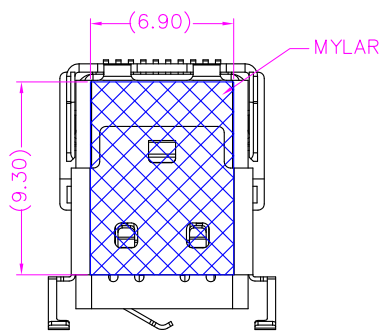
DESCRIPTION OF PLATING ON TERMINALS

NO.	DESCRIPTION	NO.	EXPLAIN
0	GOLD FLASH	3	GOLD 15u"
6	GOLD 30u"		

PIN ASSIGNMENT

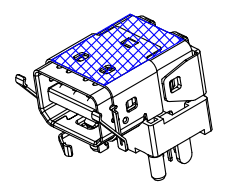
TOP ROW			BOTTOM ROW		
PIN	SIGNAL	NAME	PIN	SIGNAL	NAME
1	GND	GND	2	Out	Hot Plug Detect
3	In	ML_Lane3 (n)	4	CONFIG	CONFIG1
5	In	ML_Lane3 (p)	6	CONFIG	CONFIG2
7	GND	GND	8	GND	GND
9	In	ML_Lane2 (n)	10	In	ML_Lane0 (n)
11	In	ML_Lane2 (p)	12	In	ML_Lane0 (p)
13	GND	GND	14	GND	GND
15	In	ML_Lane1 (n)	16	I/O	AUX_CH (p)
17	In	ML_Lane1 (p)	18	I/O	AUX_CH (n)
19	GND	GND	20	PWR Out	DP_PWR

TOLERANCE		DRAWER <i>JIN</i>
.0=±0.20		
.00=±0.15		
.000=±		
.0000=±		CHECK <i>NFOLE</i>
ANG.=±3°		
APP'D <i>ERP</i>		NAME MINI DP 20PIN SMT FEMALE W/SPRING
PRODUCT SPEC. ---		
UNITS : mm		DRAW NO. 699FB20-XN011D-X
SCALE NONE SIZE A4		
SHEET 1 OF 2	REV. E	T0123

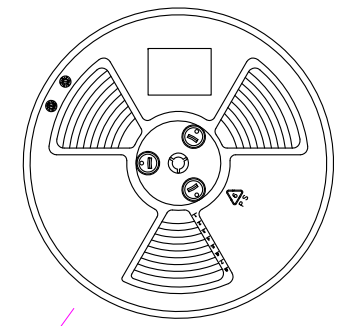
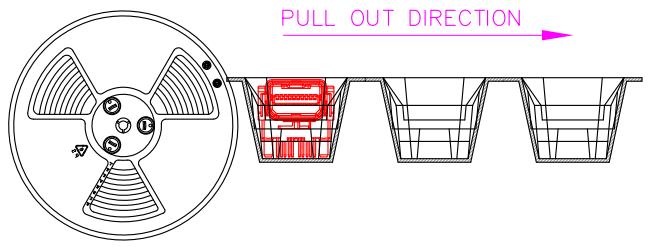
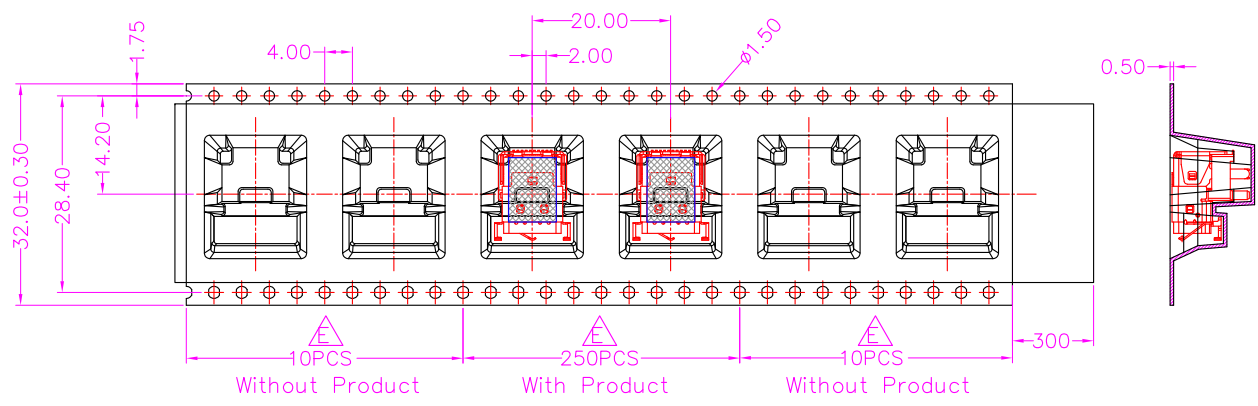


RECOMMEND P.C.B. LAYOUT TOP VIEW

REV.	DESCRIPTION	DATE
A	RELEASE	Apr. 13, 2015
B	N15'06024	Jun. 24, 2015
C	DRAW. MODIFY	Jan. 12, 2016
D	DRAW. MODIFY	Mar. 22, 2016
E	ADD. DIM. & PACKAGE MODIFY	Jul. 14, 2016

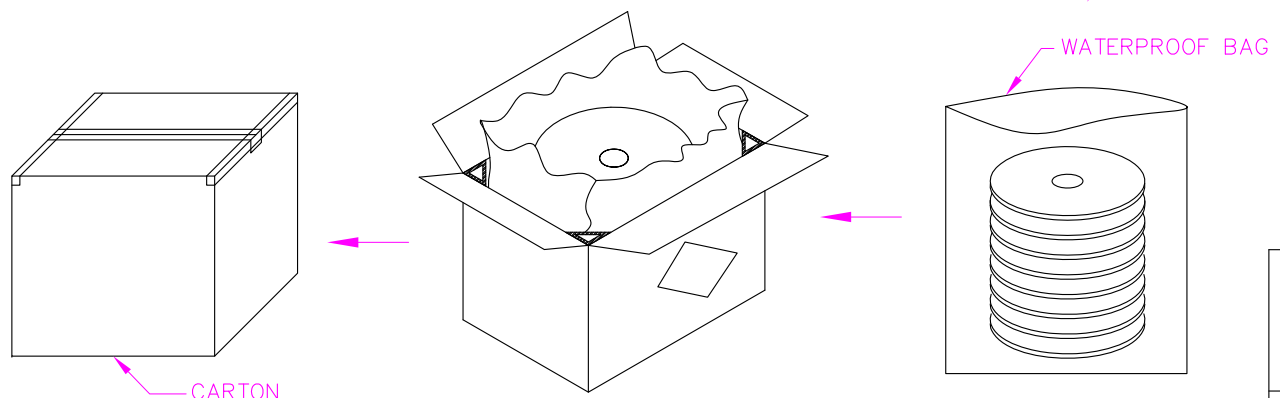


PRODUCT



PACKAGE

1. SIZE :
 REEL : DIA.=330mm
 CORTON : 350x350x325mm (LxWxH)
2. QUANTITY :
 250 PCS/REEL
 8 REEL/CARTON = 2,000PCS



CARTON

TOLERANCE .0=±XXX .00=±0.10 .000=± .0000=±. ANG.=±3°		DRAWER <i>JINJ</i>		 WWW.ASTRON.COM.TW
UNITS : mm		CHECK <i>NFOLE</i>		
SCALE NONE SIZE A4		APP'D <i>ERP</i>		
SHEET 2 OF 2		PRODUCT SPEC. —		NAME MINI DP 20PIN SMT FEMALE W/SPRING
REV. E		DRAW NO. 699FB20-XN011D-X		
T0123				