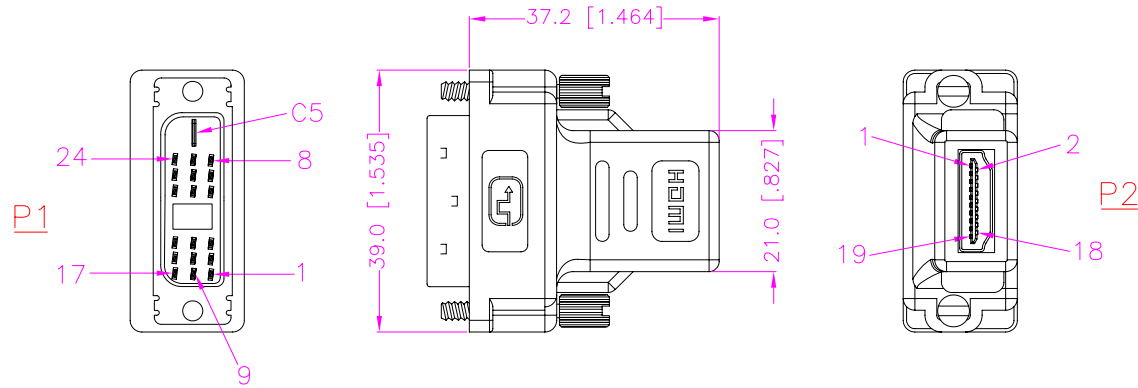


REV.	DESCRIPTION	DATE
A	RELEASE	Nov. 10, 2009



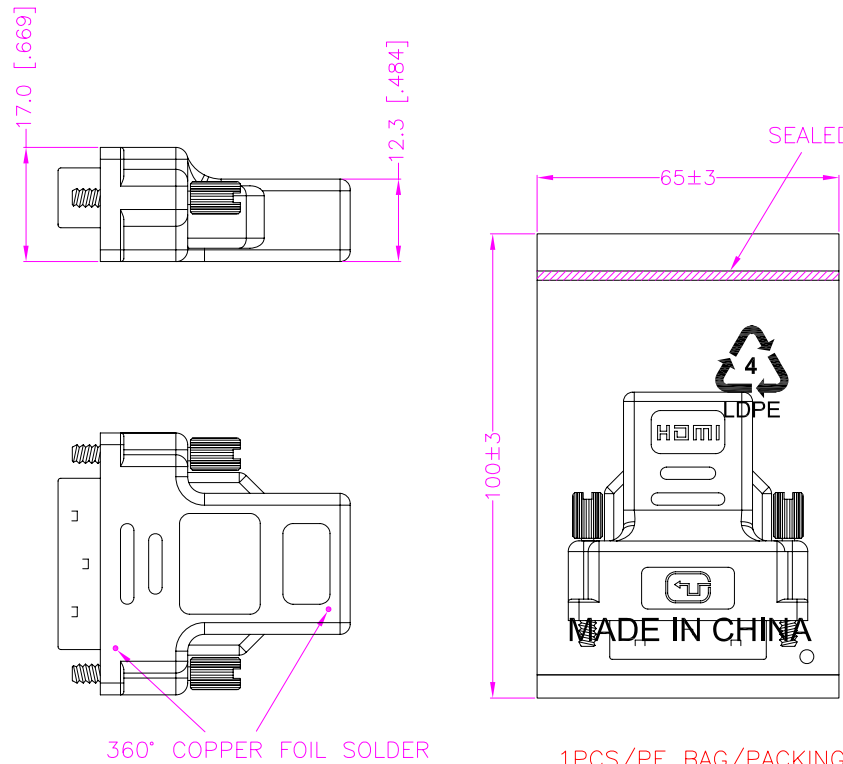
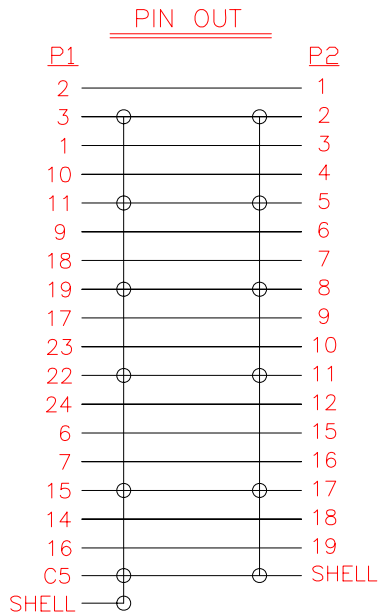
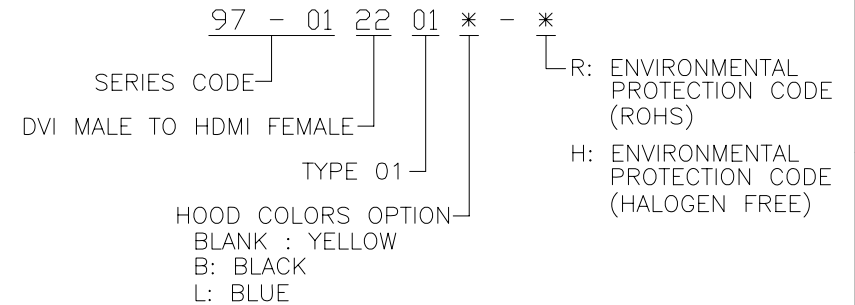
MATERIALS

- CONNECTOR :
 - * DVI 18+1P MALE
 - HOUSING : THERMOPLASTIC, (UL 94V-0), BLACK.
 - TERMINAL : COPPER ALLOY, GOLD PLATING
 - SHELL : STEEL. NICKEL PLATING
 - * HDMI 19P FEMALE
 - HOUSING : THERMOPLASTIC, (UL 94V-0), BLACK.
 - TERMINAL : COPPER ALLOY, GOLD PLATING.
 - SHELL : COPPER ALLOY, NICKEL PLATING.
 - JACKET : SPCC, TIN PLATING.
- PCB : FR-4 (UL 94V-0).
- HOOD : TPE 45P (HALOGEN FREE)
PVC 45P (RoHS)
- SCREW : #4-40UNC, NICKEL PLATING

SPECIFICATION

- INSULATION RESISTANCE : 15M OHMS MIN.
AT 400V DC.
- CONDUCTIVE RESISTANCE : 1 OHMS MAX.

PART NUMBER INFORMATION :



TOLERANCE .0=±1.0 [.039] .00=± .000=± .0000=±. ANG.=±3°		DRAWER <i>BEN</i>	 WWW.ASTRON.COM.TW
UNITS : mm [inch]		CHECK <i>JING</i>	
SCALE NONE	SIZE A4	APP'D <i>ERP</i>	DRAW NO. 97-012201X-X
SHEET 1 OF 1	REV. A	PRODUCT SPEC. —	08031