

REV.	DESCRIPTION	DATE
A	RELEASE	Mar 21, 2000
B	DRAW MODIFY	Jul 17, 2000
C	RoHS MODIFY	Jul. 26, 2005
D	DIMM MODIFY	May. 08, 2007

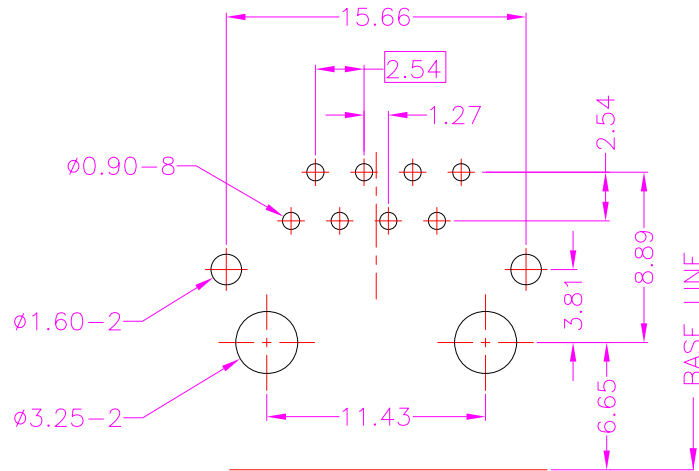
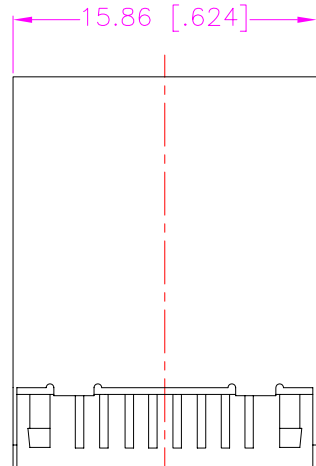
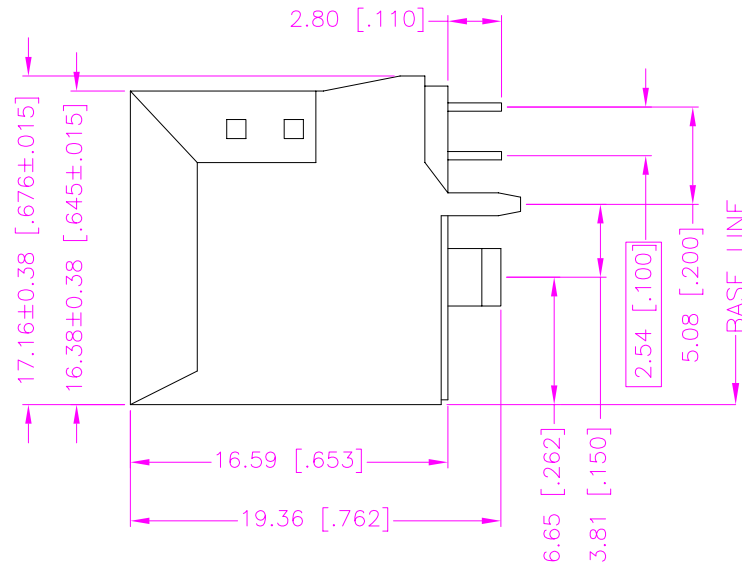
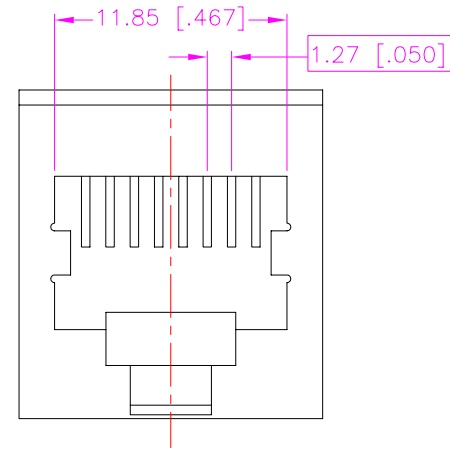
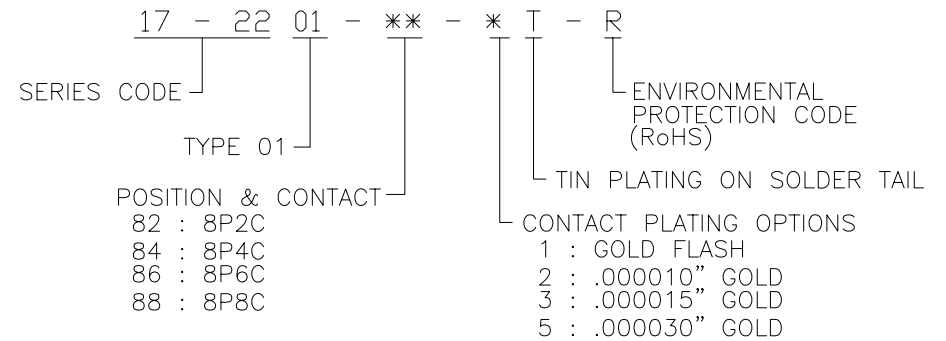
MATERIALS

1. HOUSING : P.B.T. (UL 94V-0), BLACK.
2. TERMINAL : PHOSPHOR BRONZE, (t=0.35mm)
3. SHIELD : BRASS, (t=0.20mm), NICKEL PLATING.

SPECIFICATION

1. CURRENT RATING : 1.5 AMP. MAX.
2. DIELECTRIC WITHSTANDING VOLTAGE : 1000V AC R.M.S. FOR ONE MINUTE.
3. INSULATION RESISTANCE : 500M OHMS MIN. AT 500V DC.
4. CONTACT RESISTANCE : 30m OHMS MAX.
5. OPERATING TEMPERATURE : -40°C TO +70°C.
6. DURABILITY : 750 CYCLES.

PART NUMBER INFORMATION :



P.C.B. LAYOUT
TOP VIEW

TOLERANCE .0=±.30 [.012] .00=±.20 [.008] .000=±.XXX .0000=±. ANG.=±3°		DRAWER <i>BEN</i>	 WWW.ASTRON.COM.TW
UNITS : mm [inch]		CHECK <i>VJP</i>	
SCALE NONE	SIZE A4	APP'D <i>ERH</i>	DRAW NO. C17-2201-XX-XT-R
SHEET 1 OF 1	REV. D	PRODUCT SPEC. —	15004