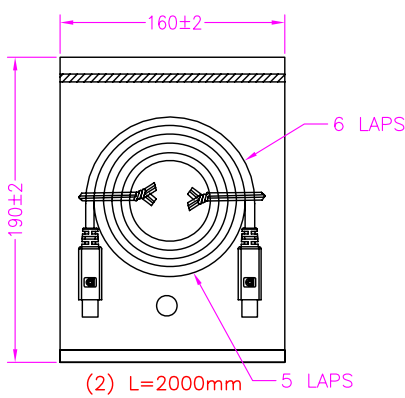
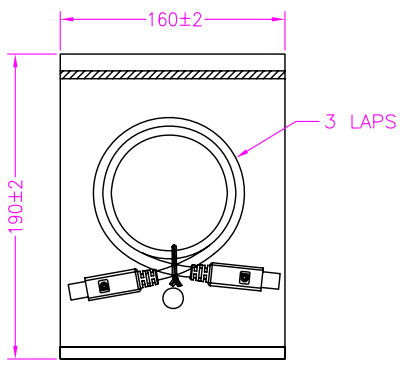
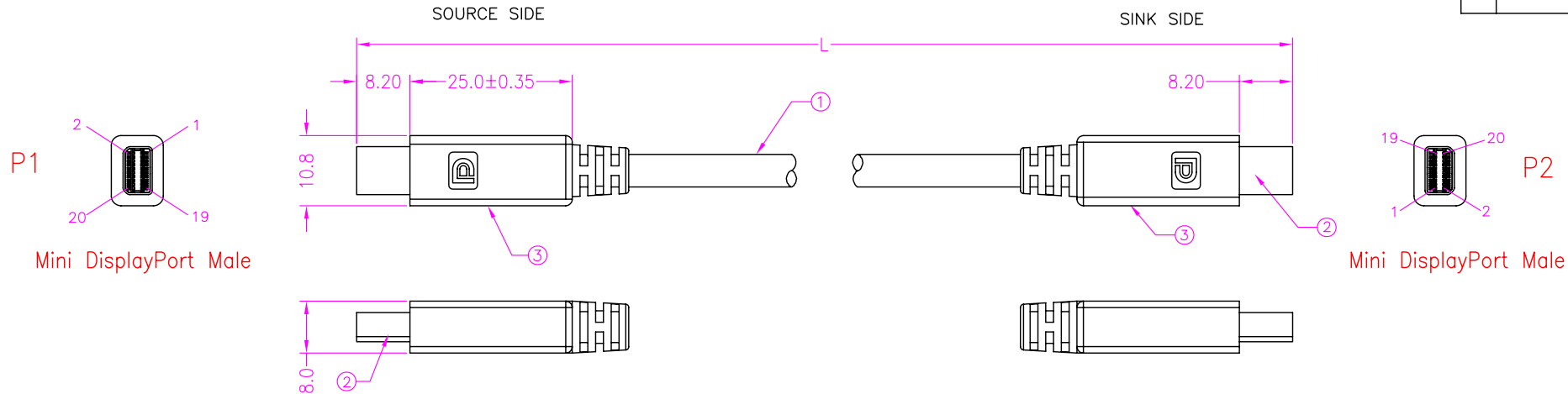
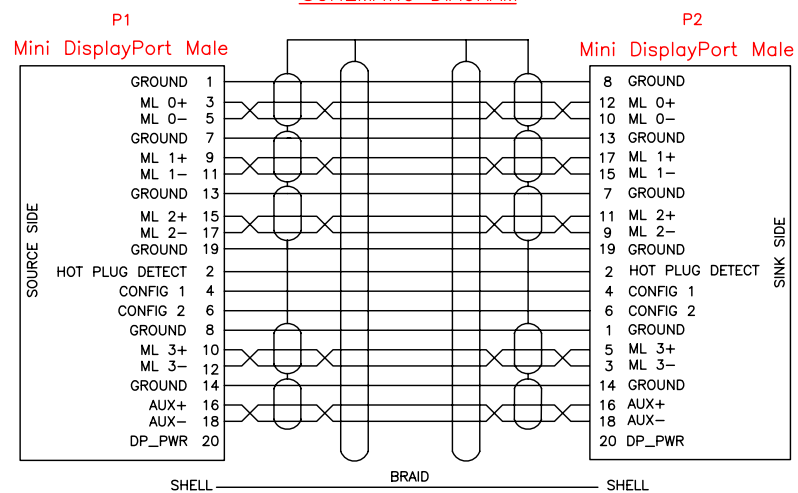


REV.	DESCRIPTION	DATE
A	RELEASE	Jun. 07. 2011
B	ADD PACKAGE	Mar. 01. 2012

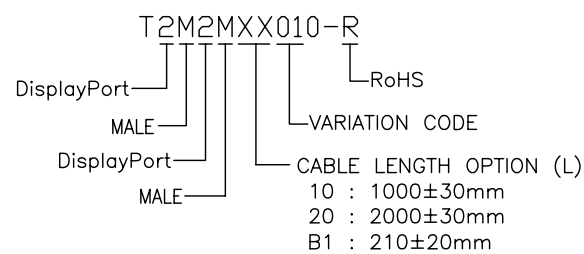


PACKAGE

SCHMATIC DIAGRAM



PART NUMBER INFORMATION



③	OVERMOLD	PVC, BLACK	
②	CONNECTOR	MINI DisplayPort MALE, SOLDER TYPE, HOUSING: WHITE, CONTACT: G/F, SHELL: NICKEL PLATING.	
①	CABLE	UL20276 (1P*34#+D+AL+MYLAR)*5C+2C*32#+3C*34#+AL+B+PAPER JACKET: PVC BLACK, O.D: 5.00mm	
NO.	PART	SPECIFICATION	
TOLERANCE		DRAWER	 WWW.ASTRON.COM.TW MINI DisplayPort CABLE MALE TO MALE
.0=±0.30		CHECK	
.00=±0.10		APP'D	
.000=±		PRODUCT SPEC.	
.0000=±		UNITS : mm [inch]	DRAW NO.
ANG.=±3°		SCALE NONE	T2M2MXX010-R
		SIZE A4	
		SHEET 1 OF 1	
		REV. B	