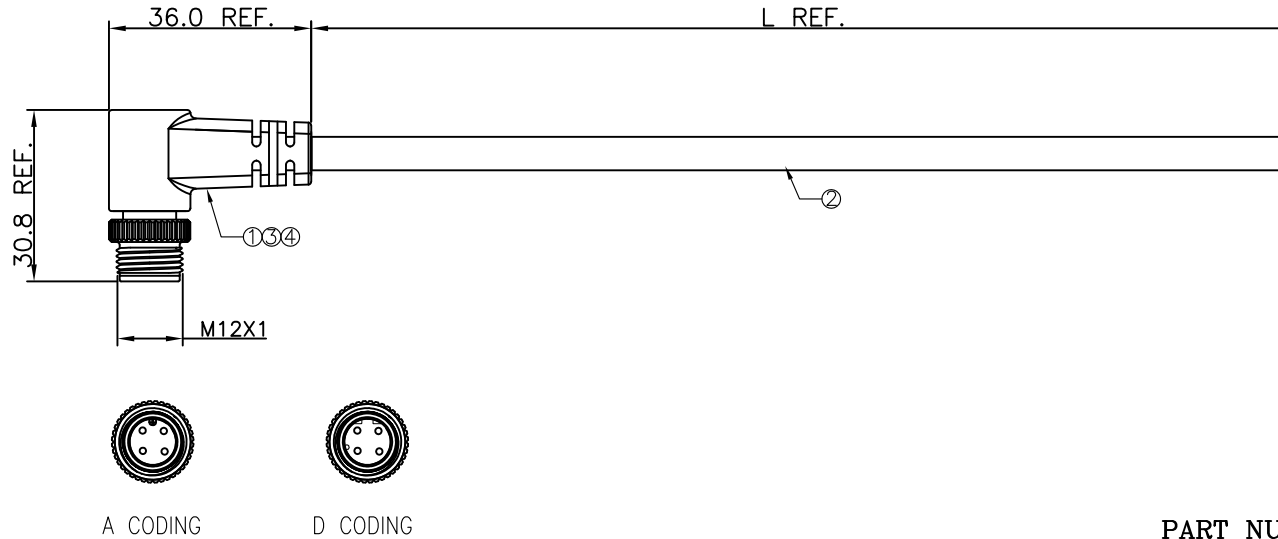
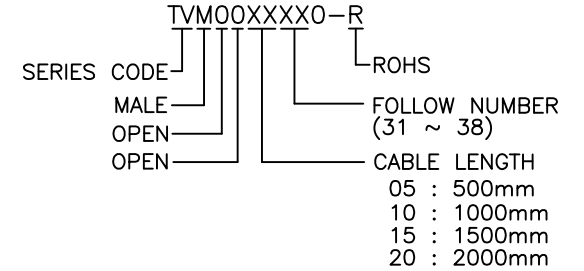




REV.	DESCRIPTION	DATE
1	PRELIMINARY	Feb. 26, 2020



PART NUMBER INFORMATION :



SPECIFICATION

1. CURRENT RATING : 4A(3,4,5PIN), 2A(8PIN), 1.5A(12PIN)
2. VOLTAGE RATING : 250V(3,4PIN), 60V(5PIN), 30V(6,8,12PIN)
3. CONTACT RESISTANCE : 5Ω MAX.
4. INSULATION RESISTANCE : 10MΩ Min, AT 450V DC.
5. AMBIENT OPERATING TEMPERATURE : -40°C TO +80°C.
6. WATERPROOF RATING : IP-67. (IN LOCKED CONDITION)

ITEM	PART NO.	DESCRIPTION	Q'TY
1	CONNECTOR	M12 PLUG SOLDER TYPE	1
2	CABLE	UL2464 PVC JACKET, COLOR: BLACK	A/R
3	MOLDING	45P PVC MOLDING, COLOR: BLACK	A/R
4	INNERMOLDING	PE INNER MOLDING, COLOR: WHITE	A/R

GENERAL TOLERANCE		DRAWER <i>pg</i>		 ASTRON TECHNOLOGY CORP.	
DIM.	.0 = ±0.50 .00 = ±0.30 .000 = ±X.XX	CHECK <i>ERP</i>			
ANG.	0° = ±X° .0° = ±X° .00° = ±X°	APP'D <i>ALAN</i>		NAME M12 PLUG OVER-MOLDING CABLE	
3rd ANGLE PROJECTION		PACKAGE SPEC. -		PART NO. TVM00XX(31~38)0-R	
UNITS : mm [inch]		CONFIDENTIAL		20001	
SCALE	SIZE A4	SHEET 1 OF 2	REV. 1	C NO.	



REV.	DESCRIPTION	DATE
1	PRELIMINARY	Feb. 26, 2020

PIN	A CODING	D CODING	PIN OUT	CABLE GAUGE	ITEM	PART NO.	DESCRIPTION	Q'TY
3Pin			P1 1 — Black 3 — Red 4 — Yellow	22AWG	1	CONNECTOR	M12 3PIN PLUG SOLDER TYPE	1
					2	CABLE	UL2464 22AWG 3C PVC JACKET, COLOR: BLACK OD=4.8mm	A/R
					3	MOLDING	45P PVC MOLDING, COLOR: BLACK	A/R
					4	INNERMOLDING	PE INNER MOLDING, COLOR: WHITE	A/R
FOLLOW NUMBER	(31)	(36)						
4Pin			P1 1 — Black 2 — Brown 3 — Blue 4 — Green	22AWG	1	CONNECTOR	M12 4PIN PLUG SOLDER TYPE	1
					2	CABLE	UL2464 22AWG 4C PVC JACKET, COLOR: BLACK OD=5.2mm	A/R
					3	MOLDING	45P PVC MOLDING, COLOR: BLACK	A/R
					4	INNERMOLDING	PE INNER MOLDING, COLOR: WHITE	A/R
FOLLOW NUMBER	(32)	(37)						
5Pin			P1 1 — Black 2 — Red 3 — Green 4 — Yellow 5 — White	22AWG	1	CONNECTOR	M12 5PIN PLUG SOLDER TYPE	1
					2	CABLE	UL2464 22AWG 5C PVC JACKET, COLOR: BLACK OD=5.5mm	A/R
					3	MOLDING	45P PVC MOLDING, COLOR: BLACK	A/R
					4	INNERMOLDING	PE INNER MOLDING, COLOR: WHITE	A/R
FOLLOW NUMBER	(33)	(38)						
8Pin			P1 1 — Black 2 — Brown 3 — Red 4 — Yellow 5 — Green 6 — Blue 7 — Gray 8 — White	24AWG	1	CONNECTOR	M12 8PIN PLUG SOLDER TYPE	1
					2	CABLE	UL2464 24AWG 8C PVC JACKET, COLOR: BLACK OD=6.0mm	A/R
					3	MOLDING	45P PVC MOLDING, COLOR: BLACK	A/R
					4	INNERMOLDING	PE INNER MOLDING, COLOR: WHITE	A/R
FOLLOW NUMBER	(34)							
12Pin			P1 1 — Black 2 — Brown 3 — Red 4 — Orange 5 — Yellow 6 — Green 7 — Blue 8 — Purple 9 — Gray 10 — White 11 — Pink 12 — Light green	26AWG	1	CONNECTOR	M12 12PIN PLUG SOLDER TYPE	1
					2	CABLE	UL2464 26AWG 12C PVC JACKET, COLOR: BLACK OD=6.5mm	A/R
					3	MOLDING	45P PVC MOLDING, COLOR: BLACK	A/R
					4	INNERMOLDING	PE INNER MOLDING, COLOR: WHITE	A/R
FOLLOW NUMBER	(35)							

GENERAL TOLERANCE		DRAWER <i>pg</i>		 ASTRON TECHNOLOGY CORP.	
DIM.	.0 = ±0.50 .00 = ±0.30 .000 = ±X.XX	CHECK	<i>ERF</i>		
ANG.	0° = ±X° .0° = ±X° .00° = ±X°	APP'D	<i>ALAN</i>	NAME M12 PLUG OVER-MOLDING CABLE	
3rd ANGLE PROJECTION 		PACKAGE SPEC.		PART NO. TVM00XX(31~38)0-R	
UNITS : mm [inch]		CONFIDENTIAL		20001	
SCALE	SIZE	SHEET	REV.	C NO.	
NONE	A4	2 OF 2	1		