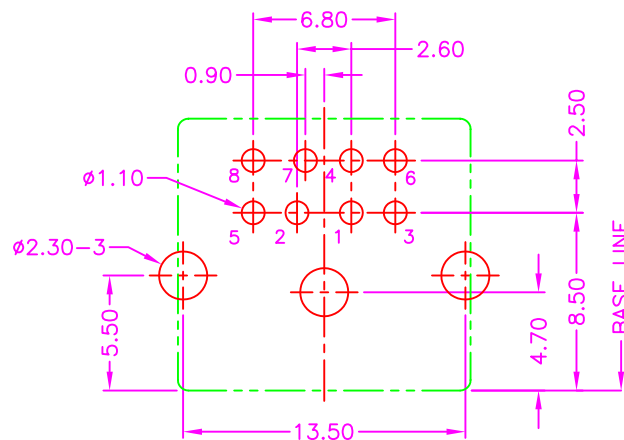
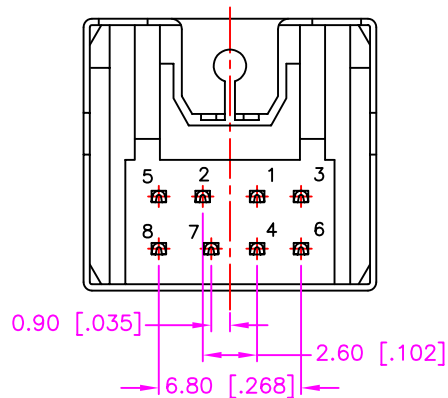
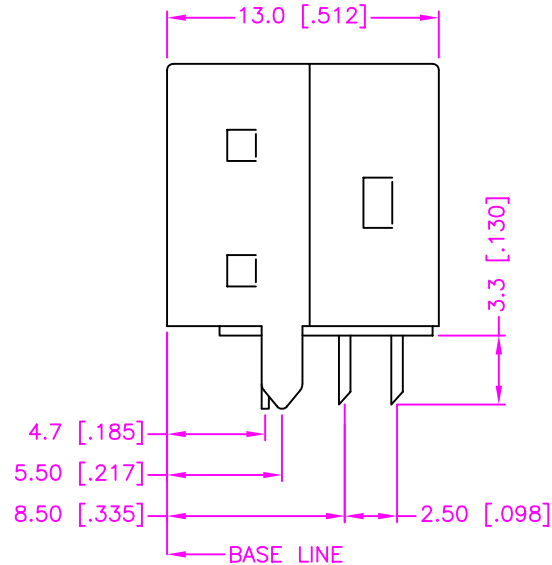
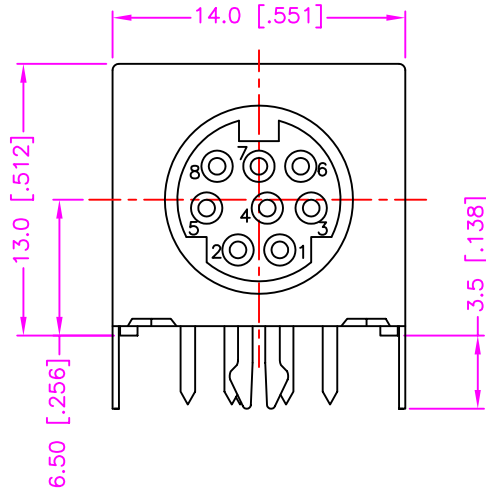
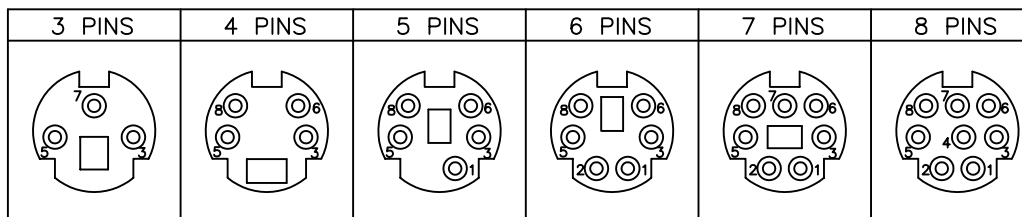


REV.	DESCRIPTION	DATE
A	RELEASE	Jun. 30, 2000
B	P/N MODIFY	Oct. 25, 2001
C	DRAW MODIFY	Jan. 02, 2003
D	RoHS MODIFY	Jan. 12, 2005



RECOMMEND P.C.B. LAYOUT
TOP VIEW



MATERIALS

1. HOUSING : P.B.T (UL 94V-0).
2. TERMINAL : PHOSPHOR BRONZE, GOLD PLATING ON CONTACT AREA, TIN PLATING ON SOLDER TAIL.
3. SHIELD : BRASS, TIN PLATING. (t=0.30mm)

SPECIFICATION

1. CURRENT RATING : 1 AMP. MAX.
2. DIELECTRIC WITHSTANDING VOLTAGE : 500V AC R.M.S. FOR ONE MINUTE.
3. INSULATION RESISTANCE : 100M OHMS MIN. AT 500V DC.
4. CONTACT RESISTANCE : 30m OHMS MAX.
5. OPERATING TEMPERATURE : -25°C TO +85°C.
6. DURABILITY : 1000 CYCLES.
7. MATING FORCE : 0.5 ~ 4.5kgs.
8. UNMATING FORCE : 0.5 ~ 4.5kgs.

ORDER INFORMATION

13 - 0501 - * * - * T - R

SERIES CODE

NUMBER OF POSITIONS

HOUSING COLOR OPTIONS

BLANK : BLACK (STANDARD)
S1 : PANTONE PURPLE 2715C
S2 : PANTONE GREEN 3395C

ENVIRONMENTAL PROTECTION CODE (ROHS)

TIN PLATING ON SOLDER TAIL

CONTACT PLATING OPTIONS

1 : GOLD FLASH
2 : .000010" GOLD
3 : .000015" GOLD
5 : .000030" GOLD

TOLERANCE .0=±.30 [.012] .00=±.20 [.008] .000=±.XXX .0000=±. ANG.=±3'	DRAWER <i>ANY</i>	Astron WWW.ASTRON.COM.TW
UNITS : mm [inch]	CHECK <i>EVAN</i>	
SCALE NONE	APP'D <i>BRP</i>	NAME MINI. CIRCULAR DIN P.C.B. MOUNT RIGHT ANGLE FULL METAL SHIELD, FEMALE
SIZE A4	PRODUCT SPEC. C535-0101 522-0038	DRAW NO. C13-0501-XX-XT-R
SHEET 1 OF 1	REV. D	08005/10004